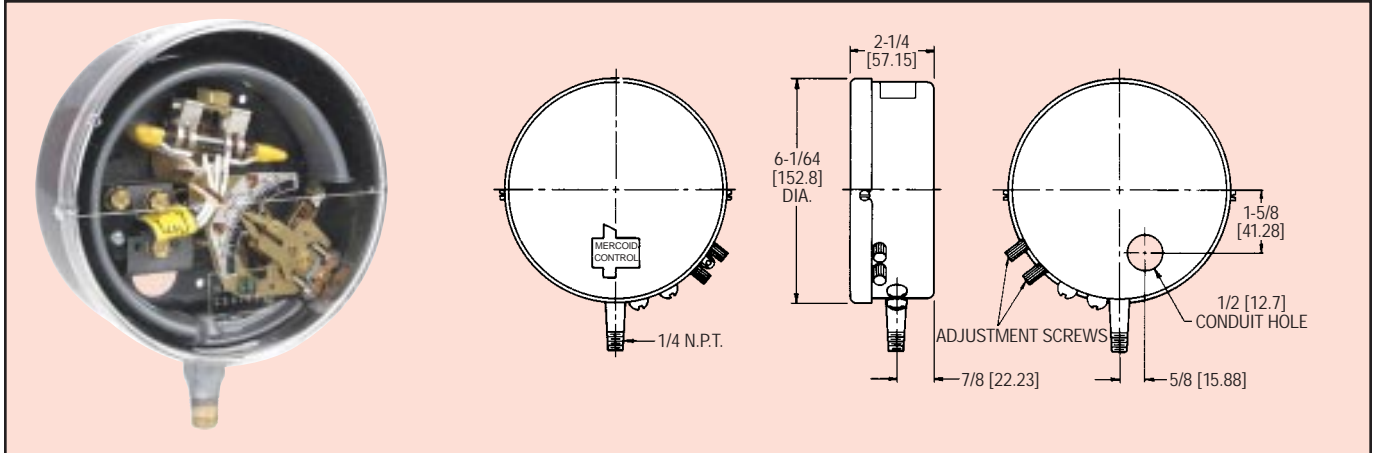




Series DA/DS

Bourdon Tube Pressure Switches

Visible Setpoint, Adjustable Deadband, Pressure Ranges to 5000 psi (345 bar)



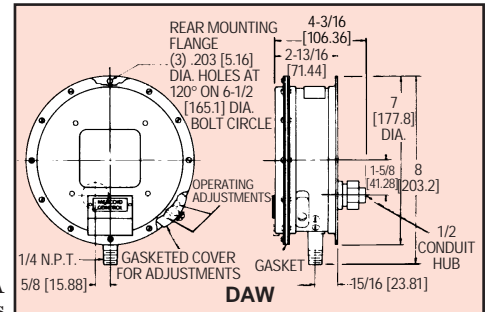
Customers tell us that this is the best pressure switch made. Our most popular, Model DA combines extremely high sensitivity and repeatability with easily adjustable set and reset points through non-interactive external adjustments. Visible calibrated dial for set points and on/off indicator to indicate switch actuation are included. Choose either high current snap-switch or hermetically sealed contact mercury switch. The DS Model has a fixed deadband.

PHYSICAL DATA

Max. Temperature: 180°F (82°C). For higher temperature media applications, a remote connection or siphon (pigtail) should be used.
Pressure connection: 1/4" NPT, (1/2" on range 15S).
Housing: pressed steel with transparent cover.
Wiring connections: 3 screw type.
Wetted parts: same as Bourdon tube material.
Weight: 4lb. (1.8 kg) (std); 6lb. (2.7 kg) (wea.-proof); 8lb. (3.6 kg) (exp.-proof).
Max. Press.: Max. adjustment operating range.

Suggested Specification

Pressure switch shall be Mercoïd Series DA operated by a (brass) (type 316 stainless steel) (type 403 stainless steel) Bourdon tube actuating a (mercury switch) (snap-switch). Switch shall have deadband fixed or adjustable up to a maximum of 100% of switch range. Switch shall have calibrated dial and one or two pointers indicating set and reset points. Switch shall have visible on/off indication. Set points shall be adjustable without removing switch cover or shutting down process.



NOTE: Also available are explosion-proof models, Series DAH. Contact factory or your local representative for complete information and pricing.

FEATURES

- DA Series is equipped with two external adjustments. One sets high pressure operating point, the other sets reset point. Deadband or the difference between set and reset points is adjustable over the full scale. DS Series has a single external adjustment and fixed deadband.
- Visible calibrated dial, on/off indication.
- SPDT snap-action or sealed mercury switches.
- Minimum deadband obtainable at any point in range.
- Pressure Ranges vacuum to 5000 psig.
- U.L. and C.S.A. listed. Many models FM listed.

Bourdon Tube Material	Adjustable Operating Range (PSIG)	MERCURY SWITCH - SPDT 4A @ 120V., 2A @ 240V., AC/DC		SNAP ACTION SWITCH - SPDT 15A @ 120/240 VAC		SNAP ACTION SWITCH - SPDT 15A @ 120/240 VAC	
		Minimum Deadband PSIG	Model Number	Minimum Deadband PSIG	Model Number	Fixed Deadband PSIG	Model Number
BRASS	0-30" Hg. Vac.	2" Hg. Vac.	DA-31-153-2*	9" Hg. Vac.	DA-7031-153-2*	3" Hg. Vac.	DS-7231-153-2*
	1/8-15	1	DA-31-153-1	4	DA-7031-153-1	1.5	DS-7231-153-1
	1/8-20	1	DA-31-153-3A	4	DA-7031-153-3A	1.5	DS-7231-153-3A
	1-35	1.75	DA-31-153-4	5	DA-7031-153-4	1.5	DS-7231-153-4
	2-60	3	DA-31-153-5	6	DA-7031-153-5	2	DS-7231-153-5
	5-100	3.75	DA-31-153-6	9	DA-7031-153-6	2.5	DS-7231-153-6
	5-150	6	DA-31-153-7	16	DA-7031-153-7	3	DS-7231-153-7
403SS	10-200	8	DA-31-153-8	16	DA-7031-153-8	4	DS-7231-153-8
	10-300	14	DA-31-153-9	25	DA-7031-153-9	5	DS-7231-153-9
	2-60	4	DA-21-153-5S	9	DA-7021-153-5S	3	DS-7221-153-5S
	5-100	6	DA-21-153-6S	13	DA-7021-153-6S	3.5	DS-7221-153-6S
	10-200	8	DA-21-153-8S	15	DA-7021-153-8S	4	DS-7221-153-8S
	10-300	14	DA-21-153-9S	19	DA-7021-153-9S	6	DS-7221-153-9S
	25-600	25	DA-21-153-10S	45	DA-7021-153-10S	10	DS-7221-153-10S
316SS	100-1500	90	DA-21-153-12S	130	DA-7021-153-12S	30	DS-7221-153-12S
	500-5000	450	DA-21-153-15S*	900	DA-7021-153-15S*	200	DS-7221-153-15S*
	10-150	6	DA-41-153-24E	11	DA-7041-153-24E	4	DS-7241-153-24E
	10-300	18	DA-41-153-9E	28	DA-7041-153-9E	8	DS-7241-153-9E

Additional features available on special order, include other electrical ratings and circuits, lower minimum differentials, special housings, diaphragm seals and manual reset. For severe vibration, a special Delrin Bushed Movement is available.

*Range 2 and 15S not FM approved. Other ranges FM approved. For FM approved models specify DAF or DSF. Example DAF-31-153-1

High Current Capacity† or Extra Low Deadband Mercury Switch (SPST)†

Bourdon Tube Material	Adjustable Operating Range (PSIG)	MERCURY SWITCH-SPST-HIGH CURRENT 10A@ 120V., 5A@ 240V., AC/DC			MERCURY SWITCH-SPST-LOW DEADBAND 5A@ 120VAC., 2A@ 240VAC., 2.5A@ 120VDC		
		Minimum Deadband PSIG	OPEN on Inc. Model Number	CLOSE on Inc. Model Number	Minimum Deadband PSIG	OPEN on Inc. Model Number	CLOSE on Inc. Model Number
BRASS	0-30" Hg. Vac.	2" Hg. Vac.	DA-31-2-2*	DA-31-3-2*	1" Hg. Vac.	DA-531-2-2*	DA-531-3-2*
	1/8-15	1	DA-31-2-1	DA-31-3-1	0.5	DA-531-2-1	DA-531-3-1
	1/8-20	1	DA-31-2-3A	DA-31-3-3A	0.5	DA-531-2-3A	DA-531-3-3A
	1-35	1.75	DA-31-2-4	DA-31-3-4	0.75	DA-531-2-4	DA-531-3-4
	2-60	3	DA-31-2-5	DA-31-3-5	1.0	DA-531-2-5	DA-531-3-5
	5-100	3.75	DA-31-2-6	DA-31-3-6	2.0	DA-531-2-6	DA-531-3-6
	5-150	6	DA-31-2-7	DA-31-3-7	3.0	DA-531-2-7	DA-531-3-7
	10-200	8	DA-31-2-8	DA-31-3-8	3.5	DA-531-2-8	DA-531-3-8
403SS	10-300	14	DA-31-2-9	DA-31-3-9	6.0	DA-531-2-9	DA-531-3-9
	2-60	4	DA-21-2-5S	DA-21-3-5S	2.5	DA-521-2-5S	DA-521-3-5S
	5-100	6	DA-21-2-6S	DA-21-3-6S	3.0	DA-521-2-6S	DA-521-3-6S
	10-200	8	DA-21-2-8S	DA-21-3-8S	4.0	DA-521-2-8S	DA-521-3-8S
	10-300	14	DA-21-2-9S	DA-21-3-9S	7	DA-521-2-9S	DA-521-3-9S
	25-600	25	DA-21-2-10S	DA-21-3-10S	15	DA-521-2-10S	DA-521-3-10S
316SS	100-1500	90	DA-21-2-12S	DA-21-3-12S	50	DA-521-2-12S	DA-521-3-12S
	500-5000	450	DA-21-2-15S*	DA-21-3-15S*	200	DA-521-2-15S*	DA-521-3-15S*
	10-150	6	DA-41-2-24E	DA-41-3-24E	3.0	DA-541-2-24E	DA-541-3-24E
	10-300	18	DA-41-2-9E	DA-41-3-9E	5.0	DA-541-2-9E	DA-541-3-9E

†Also available in Weather-proof (DAW-33) or Explosion-proof (DAH-31) Housings.

*Range 2 and 15S not FM approved. Other ranges FM approved. For FM approved models specify DAF or DSF. Example DAF-31-2-

Weather-proof Models

Bourdon Tube Material	Adjustable Operating Range (PSIG)	MERCURY SWITCH-SPDT 4A@ 120V., 2A@ 240V., AC/DC		SNAP ACTION SWITCH-SPDT 15A @ 120/240 VAC		SNAP ACTION SWITCH-SPDT 15A @ 120/240 VAC	
		Minimum Deadband PSIG	Model Number	Minimum Deadband PSIG	Model Number	Fixed Deadband PSIG	Model Number
BRASS	0-30" Hg. Vac.	2" Hg. Vac.	DAW-33-153-2*	9" Hg. Vac.	DAW-7033-153-2*	3" Hg. Vac.	DSW-7233-153-2*
	1/8-15	1	DAW-33-153-1	4	DAW-7033-153-1	1.5	DSW-7233-153-1
	1/8-20	1	DAW-33-153-3A	4	DAW-7033-153-3A	1.5	DSW-7233-153-3A
	1-35	1.75	DAW-33-153-4	5	DAW-7033-153-4	1.5	DSW-7233-153-4
	2-60	3	DAW-33-153-5	6	DAW-7033-153-5	2	DSW-7233-153-5
	5-100	3.75	DAW-33-153-6	9	DAW-7033-153-6	2.5	DSW-7233-153-6
	5-150	6	DAW-33-153-7	16	DAW-7033-153-7	3	DSW-7233-153-7
	10-200	8	DAW-33-153-8	16	DAW-7033-153-8	4	DSW-7233-153-8
403SS	10-300	14	DAW-33-153-9	25	DAW-7033-153-9	5	DSW-7233-153-9
	2-60	4	DAW-23-153-5S	9	DAW-7023-153-5S	3	DSW-7223-153-5S
	5-100	6	DAW-23-153-6S	13	DAW-7023-153-6S	3.5	DSW-7223-153-6S
	10-200	8	DAW-23-153-8S	15	DAW-7023-153-8S	4	DSW-7223-153-8S
	10-300	14	DAW-23-153-9S	19	DAW-7023-153-9S	6	DSW-7223-153-9S
	25-600	25	DAW-23-153-10S	45	DAW-7023-153-10S	10	DSW-7223-153-10S
316SS	100-1500	90	DAW-23-153-12S	130	DAW-7023-153-12S	30	DSW-7223-153-12S
	500-5000	450	DAW-23-153-15S*	900	DAW-7023-153-15S*	200	DSW-7223-153-15S*
	10-150	6	DAW-43-153-24E	11	DAW-7043-153-24E	4	DSW-7243-153-24E
	10-300	18	DAW-43-153-9E	28	DAW-7043-153-9E	8	DSW-7243-153-9E

*Range 2 and 15S not FM approved. All other DAW ranges are FM approved.

STOCKED MODELS in bold

DA-31-153-2	DA-31-2-2	DA-31-3-2	DA-7031-153-2	DS-7231-153-2
DA-31-153-1	DA-31-2-1	DA-31-3-1	DA-7031-153-1	DS-7231-153-1
DA-31-153-3A	DA-31-2-3A	DA-31-3-3A	DA-7031-153-3A	DS-7231-153-3A
DA-31-153-4	DA-31-2-4	DA-31-3-4	DA-7031-153-4	DS-7231-153-4
DA-31-153-5	DA-31-2-5	DA-31-3-5	DA-7031-153-5	DS-7231-153-5
DA-31-153-6	DA-31-2-6	DA-31-3-6	DA-7031-153-6	DS-7231-153-6
DA-31-153-7	DA-31-2-7	DA-31-3-7	DA-7031-153-7	DS-7231-153-7
DA-31-153-8	DA-31-2-8	DA-31-3-8	DA-7031-153-8	DS-7231-153-8
DA-31-153-9	DA-31-2-9	DA-31-3-9	DA-7031-153-9	DS-7231-153-9
DA-21-153-5S	DA-21-2-5S	DA-21-3-5S	DA-7021-153-5S	DS-7221-153-5S
DA-21-153-6S	DA-21-2-6S	DA-21-3-6S	DA-7021-153-6S	DS-7221-153-6S
DA-21-153-8S	DA-21-2-8S	DA-21-3-8S	DA-7021-153-8S	DS-7221-153-8S
DA-21-153-9S	DA-21-2-9S	DA-21-3-9S	DA-7021-153-9S	DS-7221-153-9S
DA-21-153-10S	DA-21-2-10S	DA-21-3-10S	DA-7021-153-10S	DS-7221-153-10S
DA-21-153-12S	DA-21-2-12S	DA-21-3-12S	DA-7021-153-12S	DS-7221-153-12S
DA-21-153-15S	DA-21-2-15S	DA-21-3-15S	DA-7021-153-15S	DS-7221-153-15S
DA-41-153-24E	DA-41-2-24E	DA-41-3-24E	DA-7041-153-24E	DS-7241-153-24E
DA-41-153-9E	DA-41-2-9E	DA-41-3-9E	DA-7041-153-9E	DS-7241-153-9E
DA-531-2-2	DA-531-3-2	DAW-33-153-2	DAW-7033-153-2	DSW-7233-153-2
DA-531-2-1	DA-531-3-1	DAW-33-153-1	DAW-7033-153-1	DSW-7233-153-1
DA-531-2-3A	DA-531-3-3A	DAW-33-153-3A	DAW-7033-153-3A	DSW-7233-153-3A
DA-531-2-4	DA-531-3-4	DAW-33-153-4	DAW-7033-153-4	DSW-7233-153-4
DA-531-2-5	DA-531-3-5	DAW-33-153-5	DAW-7033-153-5	DSW-7233-153-5
DA-531-2-6	DA-531-3-6	DAW-33-153-6	DAW-7033-153-6	DSW-7233-153-6
DA-531-2-7	DA-531-3-7	DAW-33-153-7	DAW-7033-153-7	DSW-7233-153-7
DA-531-2-8	DA-531-3-8	DAW-33-153-8	DAW-7033-153-8	DSW-7233-153-8
DA-531-2-9	DA-531-3-9	DAW-33-153-9	DAW-7033-153-9	DSW-7233-153-9
DA-521-2-5S	DA-521-3-5S	DAW-23-153-5S	DAW-7023-153-5S	DSW-7223-153-5S
DA-521-2-6S	DA-521-3-6S	DAW-23-153-6S	DAW-7023-153-6S	DSW-7223-153-6S
DA-521-2-8S	DA-521-3-8S	DAW-23-153-8S	DAW-7023-153-8S	DSW-7223-153-8S
DA-521-2-9S	DA-521-3-9S	DAW-23-153-9S	DAW-7023-153-9S	DSW-7223-153-9S
DA-521-2-10S	DA-521-3-10S	DAW-23-153-10S	DAW-7023-153-10S	DSW-7223-153-10S
DA-521-2-12S	DA-521-3-12S	DAW-23-153-12S	DAW-7023-153-12S	DSW-7223-153-12S
DA-521-2-15S	DA-521-3-15S	DAW-23-153-15S	DAW-7023-153-15S	DSW-7223-153-15S
DA-541-2-24E	DA-541-3-24E	DAW-43-153-24E	DAW-7043-153-24E	DSW-7243-153-24E
DA-541-2-9E	DA-541-3-9E	DAW-43-153-9E	DAW-7043-153-9E	DSW-7243-153-9E