

# UL AC VOLTAGE TRANSDUCER

# MODEL AVT

## DESCRIPTION

The AVT model transducers are designed for applications where UL, CUL or CE listing is required. The AVT provides electrically isolated outputs which are proportional to the applied voltage. Transducer output is derived from the average absolute value of the input and calibrated as the RMS value of a sine wave input.

Accuracy is maintained over the full range of the input voltage. These units are widely used in data acquisition, measurement, monitoring and recording applications.



INPUT AC VOLTS	STANDARD OUTPUTS MODEL AVT-				
	UL, CUL & CE				UL & CUL
	0 - 1mA*	4 - 20mA**	0 - 10Vdc*	0 - 5Vdc*	4 - 20mA
0 - 90	090A	090E2	090C	090CX5	090E
0 - 150	150A	150E2	150C	150CX5	150E
0 - 300	300A	300E2	300C	300CX5	300E
0 - 600	600A	600E2	600C	600CX5	600E

\* Models are self-powered from measured line.  
\*\*E2 loop-powered models require 15 - 24Vdc.  
E (4-20mA) models require 115Vac instrument power.  
Optional 230Vac instrument power - Add suffix "- 22".

**ORDERING INFORMATION**  
Example: 120Vac input  
with 4 - 20mA output.  
**AVT - 150E**

## MODEL AVT SPECIFICATIONS

### INPUT

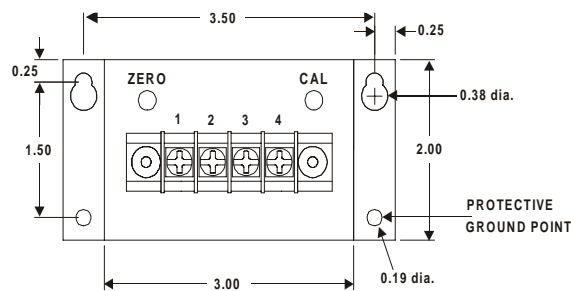
FREQUENCY RANGE: 50/60 Hz.  
BURDEN: 90V, 150V Models 1VA,  
300V Models 2VA,  
600V Models 3VA  
OVERLOAD: Full-scale rating  
575V for 600V models  
DIELECTRIC TEST (Input/Output/Case): 2200Vac  
INSTRUMENT POWER (models with 4 - 20mA 'E' output):  
115Vac, 50/60Hz, ±15%, 9.5VA. max.  
-22 option: 230Vac, 50/60Hz, ±15%, 9.5VA max

### OUTPUT

**ACCURACY: ± 0.25% F.S. @ 60Hz**  
Includes effects of linearity (10% - 100%) and setpoint.  
OUTPUT RIPPLE: Less than 1.0% F.S.  
RESPONSE: 400 milliseconds  
OUTPUT LOADING (ohms):  
A: 0 - 10K; E: 0 - 1K  
C & CX5: 10M; E2: 0 - 600  
FIELD ADJUSTABLE CAL.: ± 5%  
TEMPERATURE EFFECT: ± 1.0% RDG.  
TEMPERATURE RANGE: -20°C - +60°C

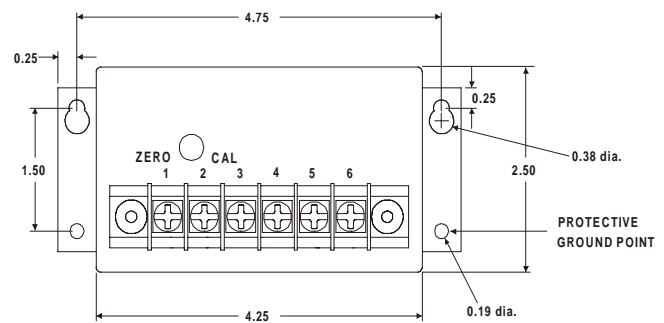
## CASE DIMENSIONS

### MODELS WITH A, C, CX5 & E2 OPTIONS



DIMENSIONS IN INCHES  
CASE HEIGHT 4.5"  
WEIGHT 0.8 LBS.

### MODELS WITH E OPTION



DIMENSIONS IN INCHES  
CASE HEIGHT 4.5"  
WEIGHT 1.5 LBS.

