

DIN RAIL AC VOLTAGE TRANSDUCER

MODEL DVT

DESCRIPTION

The DVT model transducers provide an electrically isolated output which is proportional to the applied voltage. Transducer output is derived from the arithmetic mean value of the input and calibrated as the RMS value of a sine wave input.

The transducer fulfills requirements and regulations regarding EMC and safety (IEC 1010) and was designed, manufactured and tested in accordance with ISO 9001.

FEATURES

- Voltage ranges up to 600V.
- Current and voltage outputs available.
- Compact DIN rail packaging.

APPLICATIONS

- Where voltage measurements are required.
- Where CE or CSA approvals are required.
- SCADA, process control or OEM applications.



INPUT AC VOLTS	STANDARD OUTPUTS MODEL NUMBER DVT-				
	0 - 1mA*	4 - 20mA	4 - 20mA**	0 - 10Vdc	0 - 5Vdc
0 - 90	090A	090E	090E2	090C	090CX5
0 - 150	120A	120E	120E2	120C	120CX5
0 - 300	240A	240E	240E2	240C	240CX5
0 - 600	600A	600E	600E2	600C	600CX5

*"A" models are self-powered from measured voltage line.
**"E2" loop-powered models require 12 - 32Vdc.
"E", "C" & "CX5" models require instrument power.

ORDERING INFORMATION

Example: 120Vac input with 4 - 20mA output.
DVT - 120E

MODEL DVT SPECIFICATIONS

INPUT

VOLTAGE: See tables
FREQUENCY RANGE: 50/60 Hz
BURDEN: less than 2VA
OVERLOAD: 120% of full scale
DIELECTRIC TEST: 4000Vac

OUTPUT

ACCURACY: $\pm 0.5\%$ F.S. @ 60Hz
Includes effects of linearity (20% - 100%) and setpoint.
OUTPUT RIPPLE: Less than 1.0% p.p.
RESPONSE: 300 milliseconds

OUTPUT LOADING (OHMS):

0 - 1mA: 0 - 15K
0 - 5V & 0 - 10V: 500 minimum
4 - 20mA: ("E") 0 - 750
("E2") 0 - 600 @ 24V

FIELD ADJUSTABLE CAL.:

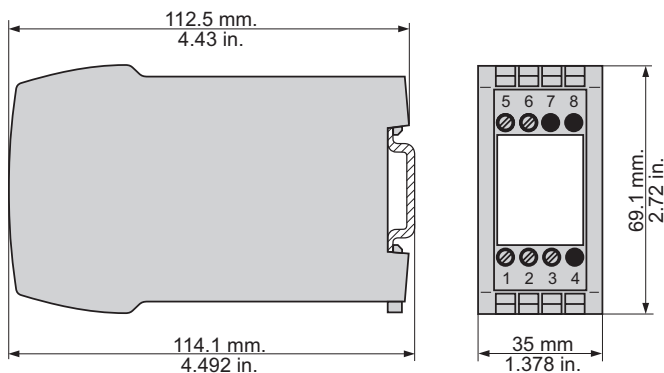
$\pm 5\%$

TEMPERATURE RANGE:

-10°C - +55°C

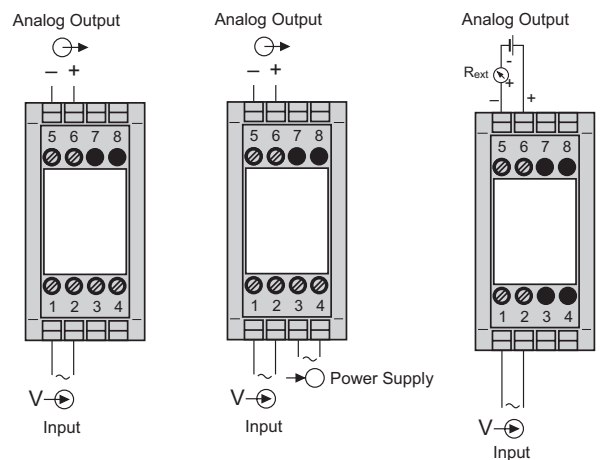
INSTRUMENT POWER (E, C & CX5 outputs):
100 - 135Vac, 50/60 Hz, 3.0VA.
For optional 220V instrument power - Add "-22" option.

CASE DIMENSIONS



Mounted on 35 mm top-hat DIN rail.

CONNECTION DIAGRAMS



"A" models

"E", "C" & "CX5" models

"E2" models