

# AC VOLTAGE TRANSDUCER

MODEL MVT

## DIN RAIL MOUNTED AC VOLTAGE TRANSDUCER

### FEATURES

- Ruggedized Polyamide DIN mount case.
- Standard OSI five year warranty
- Slim profile allows maximum use of space.
- Field selectable analog outputs.
- Recessed terminals provide increased safety.

### APPLICATIONS

- Ideal for use in enclosures with space constraints.
- Designed for industrial environments.
- OEM measurement systems.
- Designed for use with potential transformers.
- Easily integrated into control systems.



INPUT AC VOLTS	STANDARD OUTPUTS MODEL MVT-		
	0 - 1mA*	4 - 20mA	4 - 20mA**
0 - 150	150A	150E	150E2
0 - 300	300A	300E	300E2
0 - 600	600A	600E	600E2



\*Models are self-powered from measured AC input line with DIP switch selectable 0 - 1mA, 0 - 5Vdc, or 0 - 10Vdc output.

\*\*Denotes 4 - 20mA loop-powered unit, (15 - 35Vdc).  
Note: 600V models supplied with potential transformer.

1" wide case can be mounted on Rail EN50035 (DIN 1) or Rail EN50022 (DIN 3).

Transducer output is derived from the average absolute value of the input and calibrated as the RMS value of a sine wave input.

## MODEL MVT SPECIFICATIONS

### INPUT

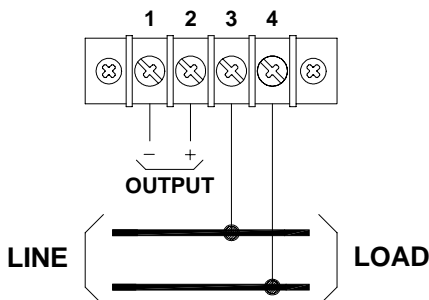
VOLTAGE: See table  
FREQUENCY RANGE: 48 - 65 Hz.; 60 Hz. nom.  
BURDEN: 150V models: 1.0VA  
300V, 600V models: 2.0VA  
VOLTAGE OVERLOAD: Full-scale rating  
DIELECTRIC TEST (Input/Output): 1500Vac  
INSTRUMENT POWER (std. E models): 85 - 135Vac, 50 - 400Hz, 3.5VA  
LOOP POWER: 15-40Vdc

### OUTPUT

ACCURACY (@ 60Hz.):  $\pm 0.25\%$  F.S.  
Includes effects of linearity and setpoint.  
OUTPUT RIPPLE: Less than 1.0% F.S.  
RESPONSE TIME (99%): 400 milliseconds  
OUTPUT LOADING (ohms):  
4 - 20mA (24V loop pwr.): 0 - 600  
0 - 1mA: 0 - 10k  
0 - 5Vdc: Greater than 5M  
0 - 10Vdc: Greater than 10M  
FIELD ADJUSTABLE SPAN:  $\pm 5\%$   
TEMPERATURE EFFECT (-20°C to +65°C):  $\pm 1.0\%$

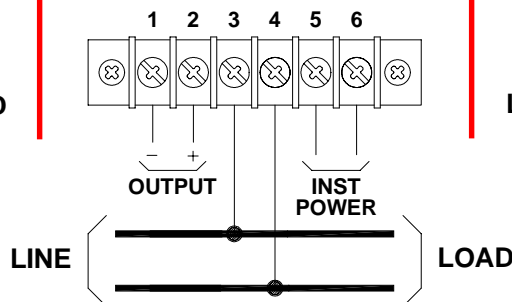
## CONNECTION DIAGRAMS

SELF-POWERED MODEL MVT,  
0 - 1mA (SWITCHABLE) OUTPUT  
OPTION A

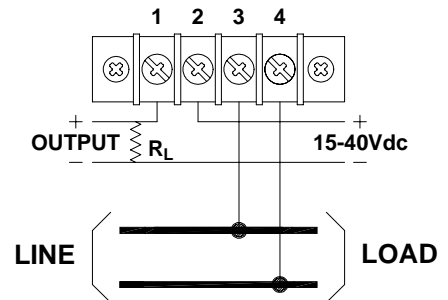


150 & 300 Vac MODELS

4 - 20mA OUTPUT MODEL MVT  
OPTION E

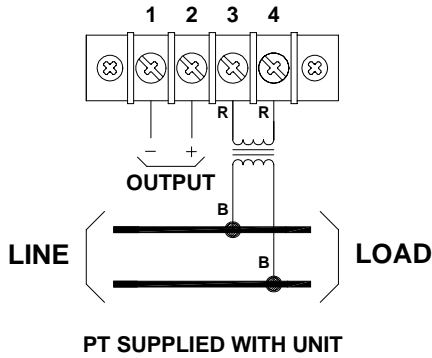


LOOP-POWERED MODEL MVT,  
4 - 20mA OUTPUT  
OPTION E2

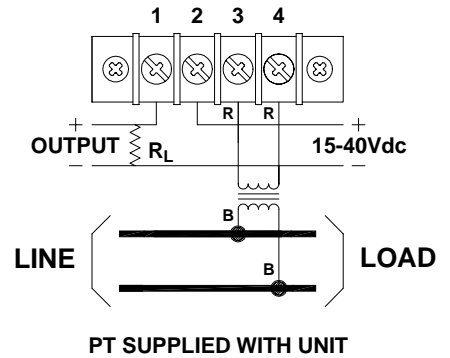


600 Vac MODELS

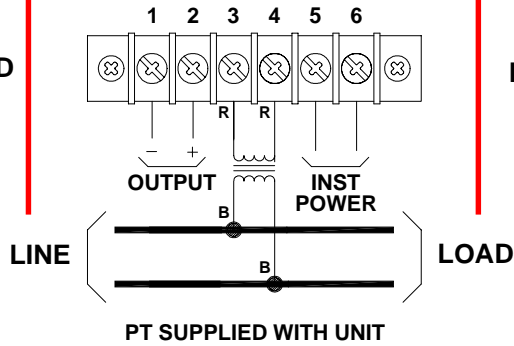
SELF-POWERED MODEL MVT,  
0 - 1mA (SWITCHABLE) OUTPUT  
OPTION A



LOOP-POWERED MODEL MVT,  
4 - 20mA OUTPUT  
OPTION E2

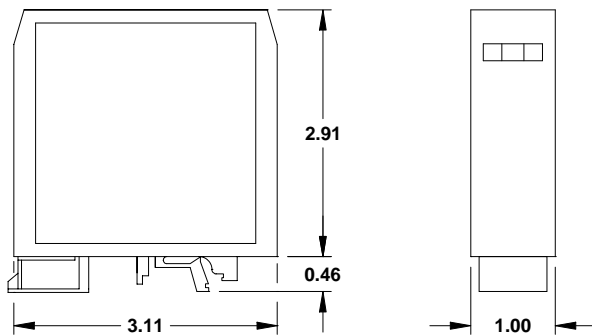


4 - 20mA OUTPUT MODEL MVT  
OPTION E



VOLTAGE

CASE DIMENSIONS



All dimensions in inches.  
Weight: 0.24lbs.

OUTPUT SWITCH POSITIONS

OUTPUT REQUIRED	SWITCH POS. 1	SWITCH POS. 2
0 - 1mA	OFF	OFF
0 - 5V	ON	ON
0 - 10V	ON	OFF

TWO POSITION SWITCH LOCATED  
BEHIND CENTER CAP ON FRONT OF  
UNIT

AC