

# SHUNT ISOLATOR

MODEL VT7

## FEATURES

- Amplifies mV shunt output to standard analog signal level.
- Input/output isolation.

## APPLICATIONS

- Shunt isolation.
- Bi-directional circuits.



*New Universal Power Supply*

INPUT mV	STANDARD OUTPUTS MODEL VT7-			
	±1mA	4 - 20mA	±10V	±5V
0 - 50	015B	015E	015D	015X5
0 - 100	016B	016E	016D	016X5
0 - 200	017B	017E	017D	017X5
0 - 250	018B	018E	018D	018X5

Optional 220Vac instrument power - Add suffix "- 22".  
**Shunts Available - Consult Factory**

## ORDERING INFORMATION

Example: 0 - 50mV input with  
4 - 20mA output.  
**VT7 - 015E**

VOLTAGE

## MODEL VT7 SPECIFICATIONS

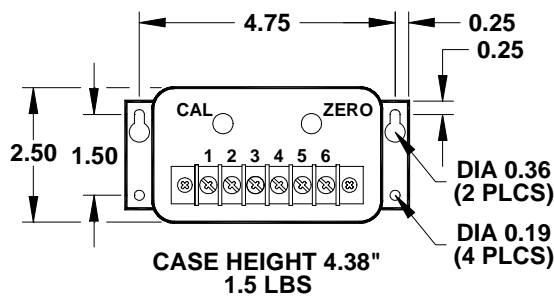
### INPUT

VOLTAGE: See tables  
FREQUENCY RANGE: dc - 10000 Hz.  
BURDEN (ohms): Greater than 100K  
OVERLOAD: 2 times full-scale rating.  
DIELECTRIC TEST (Input/Output/Case): 2500Vac  
INSTRUMENT POWER: 85 - 265Vac, 48 - 420 Hz, 5VA.  
or 110 - 370Vdc, 5VA

### OUTPUT

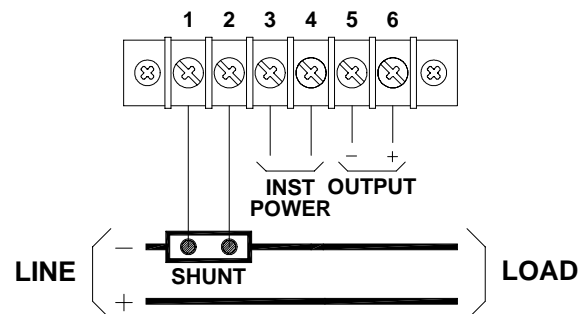
**ACCURACY: ±0.25% F.S. @ dc**  
(Includes effects of linearity and repeatability.)  
RESPONSE TIME: 50 microseconds  
OUTPUT LOADING (ohms):  
±1mA: 0 - 10K  
±10V, ±5V: 2K minimum  
4 - 20mA: 0 - 500  
FIELD ADJUSTABLE CAL.: ±10%  
TEMPERATURE EFFECT (-10°C to +60°C): ±1.0% RDG.

## CASE DIMENSIONS



All dimensions in inches.

## CONNECTION DIAGRAMS



AC

DC

# OHIO SEMITRONICS, INC.