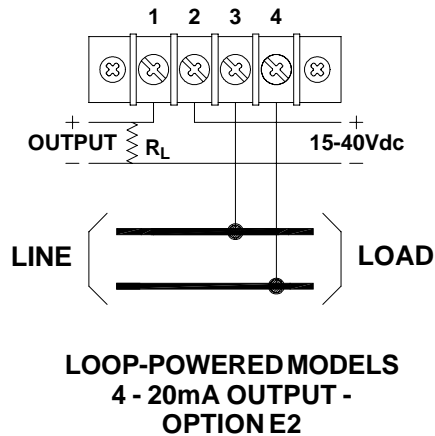
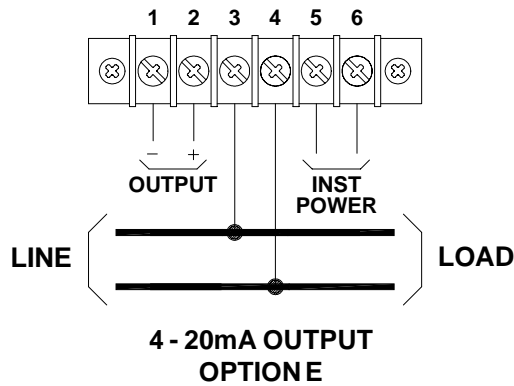
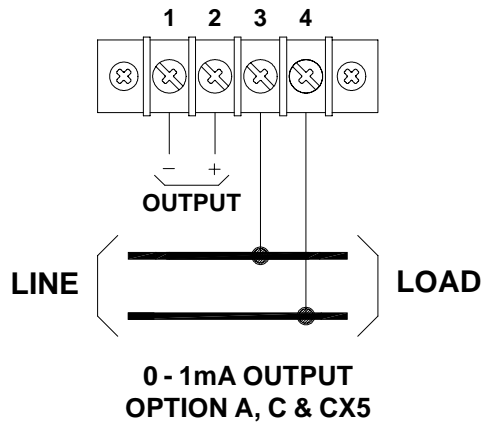




**CONNECTION DIAGRAMS**



VOLTAGE

AC