

# VARIABLE FREQUENCY VOLTAGE

MODEL VT7

## FEATURES

Output is electrically isolated from the input and is proportional to the input amplitude and frequency (ac in/out, dc in/out).

Frequency response from dc to more than 10 kilohertz.

Provides 2500 volt isolation.

## APPLICATIONS

Monitoring of substation or electric circuit performance.

Isolation and amplification of shunt out

Electric generator or solar field monitoring.



*New Universal Power Supply*

INPUT DC VOLTS	STANDARD OUTPUTS MODEL VT7-			
	±1mA	4 - 20mA	±10V	±5V
0 - 0.05	015B	015E	015D	015X5
0 - 0.10	016B	016E	016D	016X5
0 - 10	001B	001E	001D	001X5
0 - 25	002B	002E	002D	002X5
0 - 50	003B	003E	003D	003X5
0 - 100	004B	004E	004D	004X5
0 - 150	005B	005E	005D	005X5
0 - 250	006B	006E	006D	006X5
0 - 300	007B	007E	007D	007X5
0 - 400	008B	008E	008D	008X5
0 - 500	009B	009E	009D	009X5
0 - 600	010B	010E	010D	010X5
0 - 700	011B	011E	011D	011X5
0 - 800	012B	012E	012D	012X5
0 - 900	013B	013E	013D	013X5
0 - 1000	014B	014E	014D	014X5

Highlighted models are supplied with an external multiplier module.  
 50 and 100mV models can be used for shunt isolation.  
 All units have universal power supply 85 - 265 Vac, 48 - 420 Hz or 110-370 Vdc.

## ORDERING INFORMATION

Example: 120Vdc input with  
 4 - 20mA output.  
**VT7 - 005E**

## MODEL VT7 SPECIFICATIONS

### INPUT

VOLTAGE: See tables  
 FREQUENCY RANGE: dc - 10000 Hz.  
 BURDEN (ohms): Greater than 100K  
 OVERLOAD:  
 0.05 - 700V: 2 times full-scale rating.  
 800 - 1000V: 2500V  
 DIELECTRIC TEST (Input/Output/Case): 2500Vac  
 INSTRUMENT POWER: 85 - 265Vac, 48 - 420 Hz, 5VA.  
 or 110 - 370Vdc, 5VA

### OUTPUT

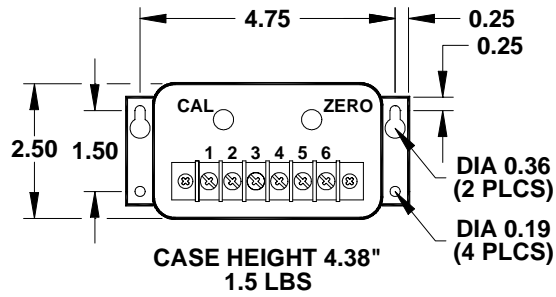
ACCURACY: ±0.25% F.S. @ dc.  
 Includes effects of linearity and repeatability.  
 RESPONSE TIME: 50 microseconds  
 OUTPUT LOADING (ohms):  
 ±1mA: 0 - 10K  
 ±10V, ±5V: 2K minimum  
 4 - 20mA: 0 - 500  
 FIELD ADJUSTABLE CAL.: ±10%  
 TEMP. EFFECT (-10°C to +60°C): ±1.0% RDG.

VOLTAGE

AC

DC

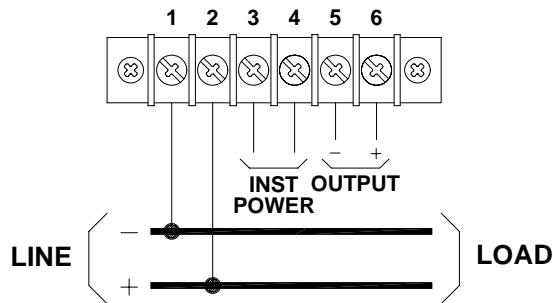
### CASE DIMENSIONS



All dimensions in inches.

### CONNECTION DIAGRAMS

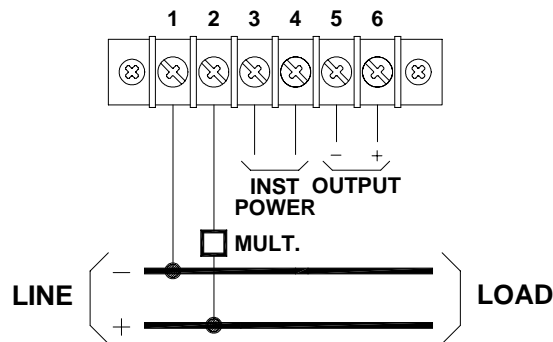
VOLTAGE



50mV - 600V Models

AC

DC



MULT DIMENSIONS: 2.875 X 1.500 X 1.000

700V-1000V Models