

UL AC CURRENT TRANSDUCER

MODEL ACT

FEATURES

- Accurate, reliable current measurement over a wide frequency range.
- Designed to withstand motor start-up transients.

APPLICATIONS

- Designed for use in applications where UL listed measurement devices are required.



* Models are self-powered from measured line.

** 4 - 20 mA loop-powered, E2 models require 15 - 24Vdc.

Standard 4 - 20mA, E models require 115Vac instrument power.

Optional 230Vac instrument power - Add suffix "- 22".

† Indicates two turns through transformer window.

INPUT AC AMPS	SENSOR SIZE	STANDARD OUTPUTS MODEL ACT-				
		UL, CUL & CE				
		0 - 1mA*	4 - 20mA**	0 - 10Vdc*	0 - 5Vdc*	4 - 20mA
0 - 1	int.	001A	001E2	001C	001CX5	001E
0 - 5	int.	005A	005E2	005C	005CX5	005E
0 - 10	int.	010A	010E2	010C	010CX5	010E
0 - 20	int.	020A	020E2	020C	020CX5	020E
0 - 25†	W	025A	025E2	025C	025CX5	025E
0 - 50	W	050A	050E2	050C	050CX5	050E
0 - 100	W	100A	100E2	100C	100CX5	100E
0 - 200	W	200A	200E2	200C	200CX5	200E
0 - 300	W	300A	300E2	300C	300CX5	300E
0 - 400	X	400A	400E2	400C	400CX5	400E
0 - 500	X	500A	500E2	500C	500CX5	500E
0 - 600	X	600A	600E2	600C	600CX5	600E
0 - 800	X	800A	800E2	800C	800CX5	800E
0 - 1000	Y	1000A	1000E2	1000C	1000CX5	1000E
0 - 1500	Y	1500A	1500E2	1500C	1500CX5	1500E

Transducer output is derived from the average absolute value of the input and calibrated in terms of the RMS value of the sine wave input.

ORDERING INFORMATION

Example: 20 Amps ac input with
4 - 20mA output.
ACT - 020E

MODEL ACT SPECIFICATIONS

INPUT

FREQUENCY RANGE: 50/60 Hz.

BURDEN: 1.0VA F.S.

CURRENT OVERLOAD:

2 times full-scale rating (continuous), except 20A model.

20A model: 1.25 times full-scale rating.

50 times full-scale (1 Sec. transient).

DIELECTRIC TEST (Input/Output/Case): 2200Vac

INSTRUMENT POWER (std. 4 - 20mA units):

115Vac, 50/60Hz, ±15%, 9.5VA max.

-22 option: 230Vac, 50/60Hz, ±15%, 9.5A max.

OUTPUT

ACCURACY:

Internal sensor: ± 0.25% F.S. @ 60Hz

External sensor: ± 0.5% F.S. @ 60Hz

Includes effects of linearity and setpoint.

OUTPUT RIPPLE: Less than 1.0% F.S.

RESPONSE: 400 milliseconds

OUTPUT LOADING (ohms):

A: 0 - 10K; E: 0 - 1K; C & CX5: ≥ 10M; E2: 0 - 600

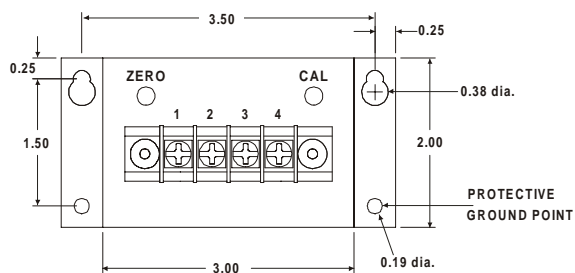
FIELD ADJUSTABLE CAL.: ± 5%

TEMPERATURE EFFECT: ± 1.0% RDG.

TEMPERATURE RANGE: -20°C - +60°C

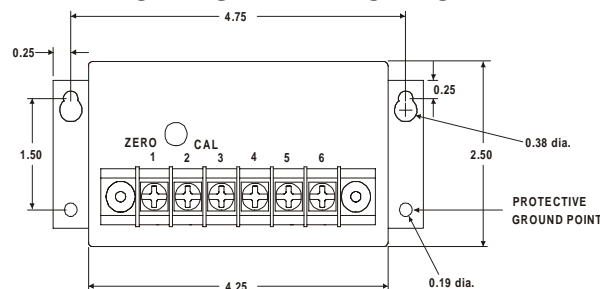
CASE DIMENSIONS

MODELS WITH A, C, CX5 & E2 OPTIONS



DIMENSIONS IN INCHES
CASE HEIGHT 4.5"
WEIGHT 0.8 LBS.

MODELS WITH E OPTION

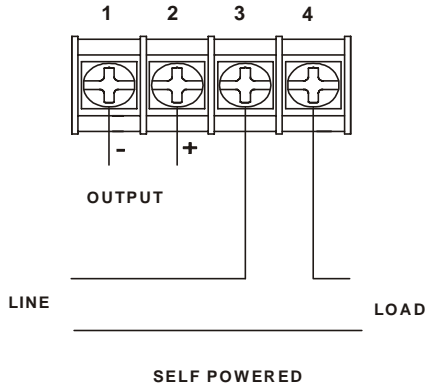


DIMENSIONS IN INCHES
CASE HEIGHT 4.5"
WEIGHT 1.5 LBS.

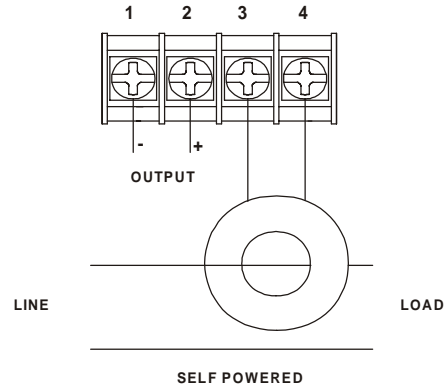
OSI CONNECTION DIAGRAMS

MODEL ACT

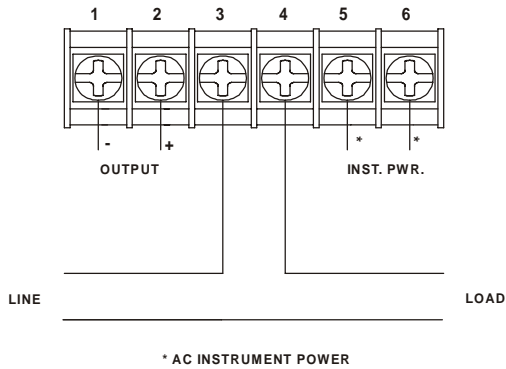
**MODELS WITH A, C & CX5 OPTIONS
INTERNAL SENSOR**



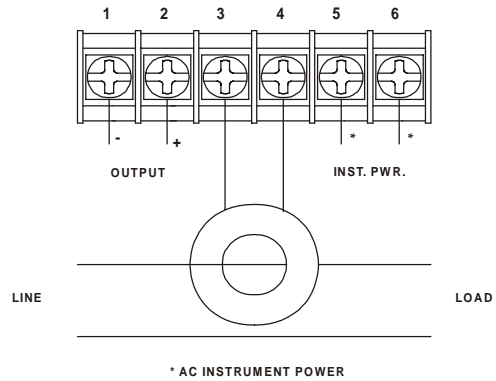
**MODELS WITH A, C & CX5 OPTIONS
EXTERNAL SENSOR**



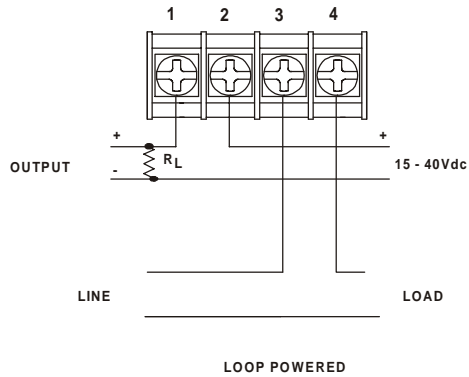
MODELS WITH E OPTION INTERNAL SENSOR



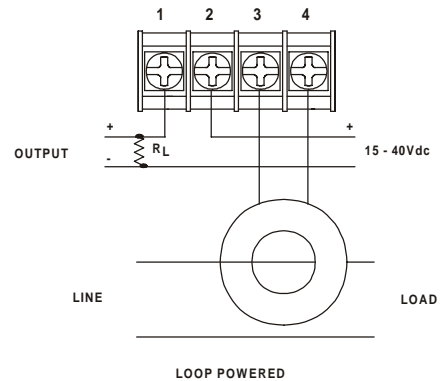
MODELS WITH E OPTION EXTERNAL SENSOR



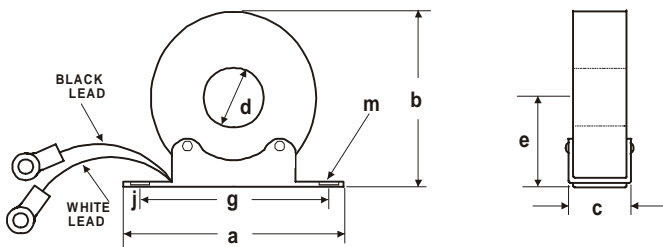
MODELS WITH E2 OPTION INTERNAL SENSOR



MODELS WITH E2 OPTION EXTERNAL SENSOR



EXTERNAL SENSOR DIMENSIONS



SENSOR SIZE	SENSOR DIMENSIONS								WT. LBS.
	a	b	c	d	e	g	j	m	
W	4.55	3.70	1.25	1.25	1.87	3.88	0.34	0.27X 0.44	1.43
X	6.53	4.70	1.25	2.50	2.38	5.75	0.39	0.28	1.61
Y	6.53	4.70	1.25	3.00	2.38	5.75	0.39	0.28	1.10

LEAD LENGTH 24 INCHES