

# VARIABLE FREQUENCY RMS CURRENT

# MODEL CT8

## DC TO 500 HERTZ FREQUENCY RANGE

### DESCRIPTION

The model CT8 current transducer provides an output directly related to the true RMS value of the input over the dc to 500 hertz range.

Full-scale current ranges of 0.1 to 20 amperes, 1 millisecond input circuit response, and 2500V input to output isolation are suitable for many instrumentation needs.

### FEATURES

- Provides output which is directly proportional to RMS value of ac and/or dc input signal.

Input/output isolation.

### APPLICATIONS

- Accurate measurement of current waveforms containing dc and non-sinusoidal ac components.

Low current measurement.

INPUT AMPS	STANDARD OUTPUTS MODEL CT8-			
	0 - 1mA	4 - 20mA	0 - 10Vdc	0 - 5Vdc
0 - 0.1	002B	002E	002D	002X5
0 - 0.5	004B	004E	004D	004X5
0 - 1	006B	006E	006D	006X5
0 - 1.5	007B	007E	007D	007X5
0 - 2	008B	008E	008D	008X5
0 - 5	014B	014E	014D	014X5
0 - 10	015B	015E	015D	015X5
0 - 15	016B	016E	016D	016X5
0 - 20	017B	017E	017D	017X5



*New Universal Power Supply*

Other current ranges are available, consult factory.

All units have a universal power supply, 85 - 265Vac, 48 - 420 Hz, 5VA or 110 - 370Vdc, 5VA.

Optional 220Vac instrument power - Add suffix "- 22".

### ORDERING INFORMATION

Example: 500mA ac/dc input with 4 - 20mA output.  
**CT8 - 004E**

## MODEL CT8 SPECIFICATIONS

### INPUT

CURRENT: See tables

FREQUENCY RANGE: dc to 500 Hz.

BURDEN (ohms):

0.1 to 2A models: 0.4VA @ F.S.

5 - 20A models: less than 0.25VA @ F.S.

OVERLOAD: 1.25 times full-scale rating

DIELECTRIC TEST (Input/Output/Case): 2500Vac

INSTRUMENT POWER: 85 - 265Vac, 48 - 420 Hz, 5VA or 110 - 370Vdc, 5VA

### OUTPUT

**ACCURACY: ±0.25% F.S. (@ 48 - 420Hz)**

(Includes effects of linearity and repeatability.)

RESPONSE TIME (90%): 100 milliseconds

OUTPUT RIPPLE: less than 1.0% F.S. @ 48-500Hz

OUTPUT LOADING (ohms):

0 - 1mA: 0 - 10K

0 - 10Vdc, 0 - 5Vdc: 2K min.

4 - 20mA: 0 - 500

FIELD ADJUSTABLE CAL.: ±10%

TEMPERATURE EFFECT (-10°C to +60°C): ±1.0% RDG.

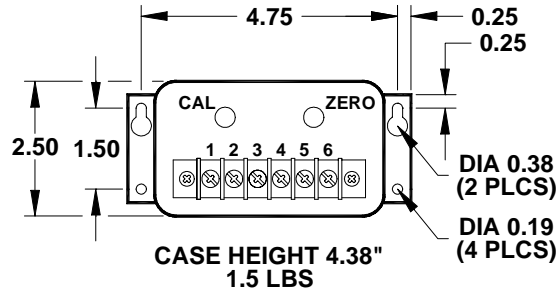
# OHIO SEMITRONICS, INC.

CURRENT

AC

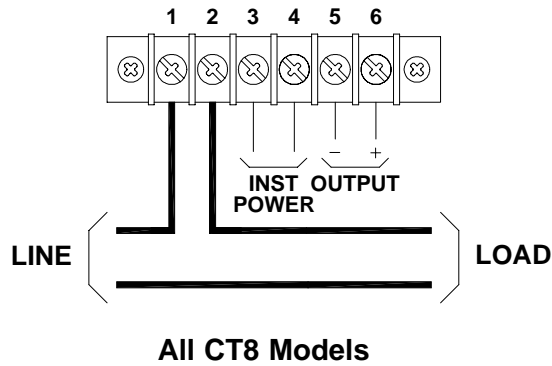
DC

**CASE DIMENSIONS**



All dimensions in inches.

**CONNECTION DIAGRAM**



All CT8 Models

CURRENT

AC

DC