



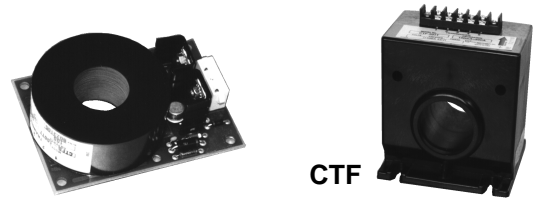
HALL EFFECT CURRENT SENSORS MODELS CTF & CTFB

0.1% Linearity

DESCRIPTION

The CTF and CTFB current sensors are highly precise, electronic sensors designed for ac, dc pulse and variable frequency drives. The output is directly proportional to the input and the output waveform is identical to the "through window current".

The CTF and CTFB provide 0.1% linearity. Rugged construction and reduced temperature sensitivity ensure reliable measurements over a wide range of temperatures.



Models are provided in enclosures or circuit board arrangement. Split-core units are available.

Instrument power $\pm 15V_{dc}$ is required, with typical output current capable of $\pm 200mA_{dc}$ if CTA800 is not used. Consult table for output current rating.

CURRENT

MODEL NUMBER	INPUT AC CURRENT IN AMPS		TEMPERATURE		TURN RATIO	OUTPUT				ACCURACY F.S. @ 25°C	LINEARITY F.S.	SENSOR CASE SIZE
			RANGE	OFFSET OVER RANGE		CAL	LOAD (ohms)	CAL	DC			
CTFB-100TT	100	150	-25° - 70°C	+ 0.75mA	1:1000	100mA	0-50	150mA	LOAD (ohms)	$\pm 0.4\%$	$\pm 0.1\%$	1
CTFB-100T	100	150	-40° - 80°C	+ 1.0mA		100mA	0-50	150mA	0-50	$\pm 0.4\%$	$\pm 0.1\%$	
* CTF-100TTSX5	100	150	-0° - 40°C	+ 5.25mV	1:1000	150mA	> 2K	5V	> 2K	$\pm 0.5\%$	$\pm 0.2\%$	1
CTFB-300TT	300	750	-25° - 70°C	+ 0.6mA		150mA	0-40	375mA	0-50	$\pm 0.4\%$	$\pm 0.1\%$	
CTFB-300T	300	750	-40° - 80°C	+ 0.75mA	1:2000	150mA	0-40	375mA	> 2K	$\pm 0.4\%$	$\pm 0.1\%$	3
* CTF-300TTSX5	200	300	-0° - 40°C	+ 25mV		150mA	> 2K	5V	0-15	$\pm 0.5\%$	$\pm 0.2\%$	
CTFB-500TT	500	750	-0° - 70°C	+ 0.25mA	1:2000	100mA	0-50	150mA	0-15	$\pm 0.3\%$	$\pm 0.1\%$	1
* CTF-500TTSX5	200	300	-40° - 80°C	+ 0.5mA		100mA	0-50	150mA	> 2K	$\pm 0.3\%$	$\pm 0.1\%$	
CTFB-500T	500	750	-0° - 40°C	+ 25mV	1:5000	100mA	> 2K	5V	0-15	$\pm 0.5\%$	$\pm 0.2\%$	2
* CTF-500TTSX5	350	500							> 2K			

* Models with "S" in model number indicates split core.

MODEL CTF & CTFB SPECIFICATIONS

STANDARD "T" & "TT" MODELS

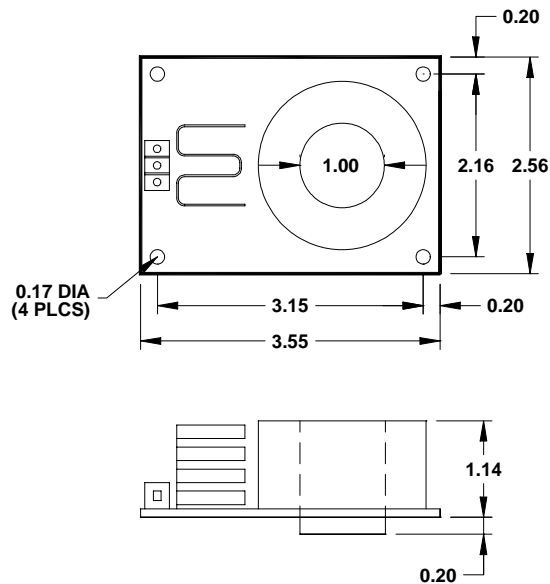
RESPONSE TIME: 1 microsecond
di/dt: 50A/microsecond
BANDWIDTH: 100KHz
ISOLATION (INPUT/OUTPUT): 3KV
SUPPLY VOLTAGE: $\pm 14V_{dc}$ to $\pm 18V_{dc}$
QUIESCENT CURRENT: 35mA

"SX5" SPLIT-CORE MODELS

RESPONSE TIME: 50 microsecond
di/dt: 50A/10 microsecond
BANDWIDTH: 1kHz
ISOLATION (INPUT/OUTPUT): 1KV
SUPPLY VOLTAGE: $\pm 14V_{dc}$ to $\pm 18V_{dc}$
QUIESCENT CURRENT: 35mA

MODEL CTFB DIMENSIONS

CASE 1

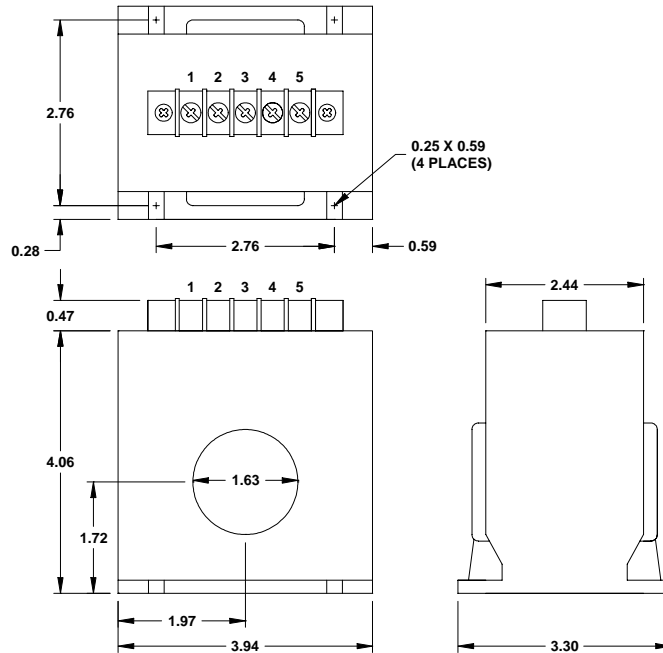


All dimensions in inches. Weight 0.4lbs.



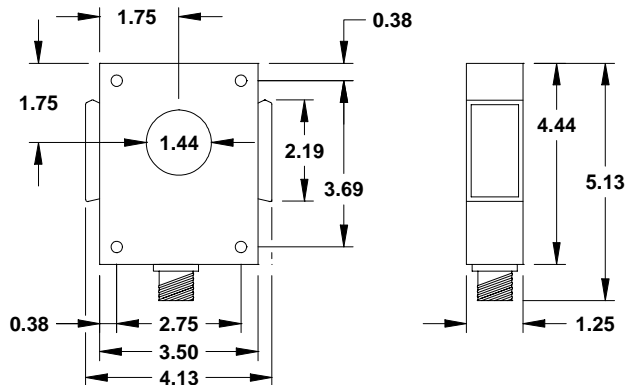
MODEL CTF DIMENSIONS

CASE 2



All dimensions in inches. Weight: 1.1lbs

CASE 3



Case 3 models supplied with 8 foot cable.

All dimensions in inches. Weight: 1.4lbs

CURRENT

AC

DC