

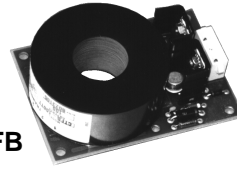
OSI HALL EFFECT CURRENT SENSORS MODELS CTF & CTFB

0.1% Linearity

DESCRIPTION

The CTF and CTFB current sensors are highly precise, electronic sensors designed for ac, dc pulse and variable frequency drives. The output is directly proportional to the input and the output waveform is identical to the "through window current".

The CTF and CTFB provide 0.1% linearity. Rugged construction and reduced temperature sensitivity ensure reliable measurements over a wide range of temperatures.



CTFB



CTF

Models are provided in enclosures or circuit board arrangement. Split-core units are available.

Instrument power $\pm 15V_{dc}$ is required, with typical output current capable of $\pm 200mA_{dc}$ if CTA800 is not used. Consult table for output current rating.

CURRENT

MODEL NUMBER	INPUT CURRENT IN AMPS		TEMPERATURE		TURN RATIO	OUTPUT				ACCURACY F.S. @ 25°C	LINEARITY F.S.	SENSOR CASE SIZE
	AC	DC	RANGE	OFFSET OVER RANGE		AC		DC				
						CAL	LOAD (ohms)	CAL	LOAD (ohms)			
CTFB-100TT	100	150	-25° - 70°C	+ 0.75mA	1:1000	100mA	0-50	150mA	0-50	$\pm 0.4\%$	$\pm 0.1\%$	1
CTFB-100T	100	150	-40° - 80°C	+ 1.0mA	1:1000	100mA	0-50	150mA	0-50	$\pm 0.4\%$	$\pm 0.1\%$	1
* CTF-100TTSX5	100	150	-0° - 40°C	+ 5.25mV			> 2K	5V	> 2K	$\pm 0.5\%$	$\pm 0.2\%$	3
CTFB-300TT	300	750	-25° - 70°C	+ 0.6mA	1:2000	150mA	0-40	375mA	0-15	$\pm 0.4\%$	$\pm 0.1\%$	1
CTFB-300T	300	750	-40° - 80°C	+ 0.75mA	1:2000	150mA	0-40	375mA	0-15	$\pm 0.4\%$	$\pm 0.1\%$	1
* CTF-300TTSX5	200	300	-0° - 40°C	+ 25mV			> 2K	5V	> 2K	$\pm 0.5\%$	$\pm 0.2\%$	3
CTF-500TT	500	750	-0° - 70°C	+ 0.25mA	1:5000	100mA	0-50	150mA	0-15	$\pm 0.3\%$	$\pm 0.1\%$	2
CTF-500T	500	750	-40° - 80°C	+ 0.5mA	1:5000	100mA	0-50	150mA	0-15	$\pm 0.3\%$	$\pm 0.1\%$	2
* CTF-500TTSX5	350	500	-0° - 40°C	+ 25mV			> 2K	5V	> 2K	$\pm 0.5\%$	$\pm 0.2\%$	3

* Models with "S" in model number indicates split core.

MODEL CTF & CTFB SPECIFICATIONS

STANDARD "T" & "TT" MODELS

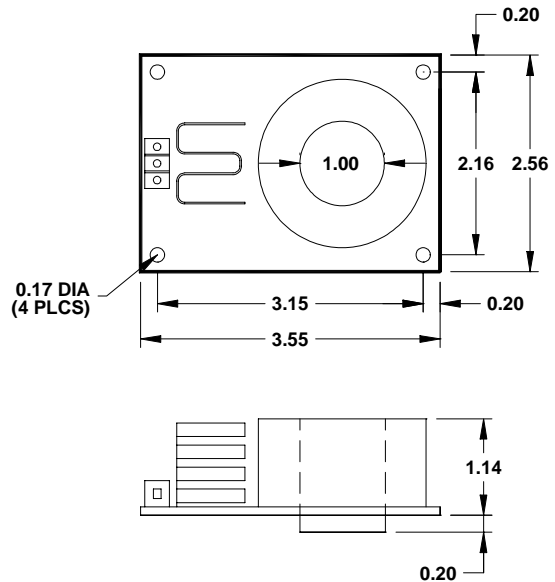
RESPONSE TIME: 1 microsecond
 di/dt : 50A/microsecond
 BANDWIDTH: 100KHz
 ISOLATION (INPUT/OUTPUT): 3KV
 SUPPLY VOLTAGE: $\pm 14V_{dc}$ to $\pm 18V_{dc}$
 QUIESCENT CURRENT: 35mA

"SX5" SPLIT-CORE MODELS

RESPONSE TIME: 50 microsecond
 di/dt : 50A/10 microsecond
 BANDWIDTH: 1kHz
 ISOLATION (INPUT/OUTPUT): 1KV
 SUPPLY VOLTAGE: $\pm 14V_{dc}$ to $\pm 18V_{dc}$
 QUIESCENT CURRENT: 35mA

MODEL CTFB DIMENSIONS

CASE 1



All dimensions in inches. Weight 0.4lbs.

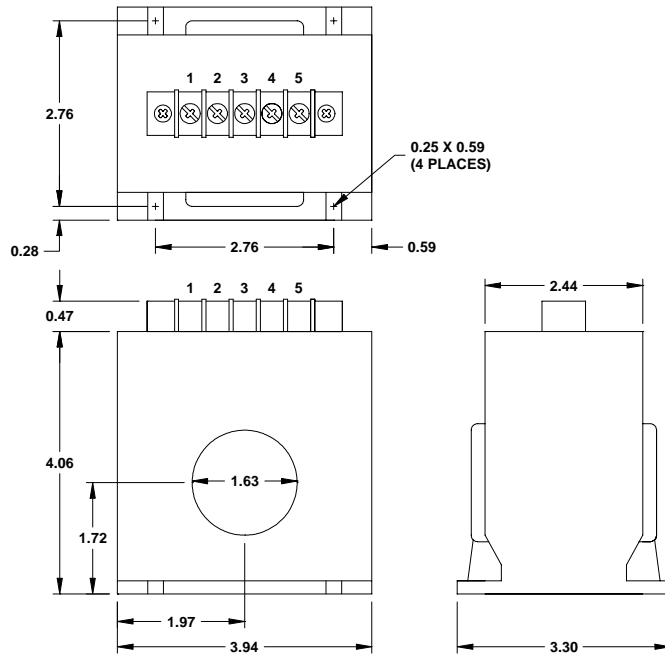
OHIO SEMITRONICS, INC.

4242 REYNOLDS DRIVE * HILLIARD, OHIO * 43026-1264
 PHONE: (614) 777-1005 * FAX: (614) 777-4511
 WWW.OHIOSEMITRONICS.COM * 1-800-537-6732



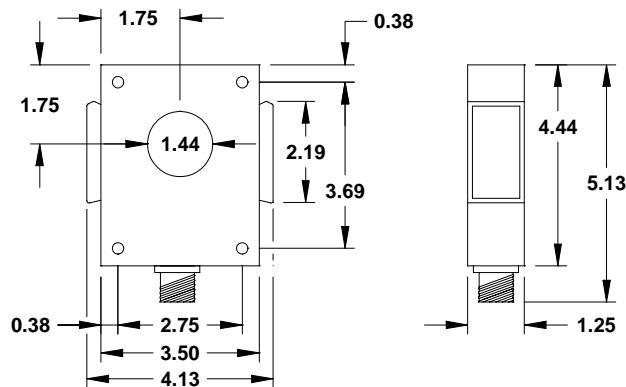
MODEL CTF DIMENSIONS

CASE 2



All dimensions in inches. Weight: 1.1lbs

CASE 3



Case 3 models supplied with 8 foot cable.

All dimensions in inches. Weight: 1.4lbs

CURRENT

AC

DC