



DIN RAIL CURRENT TRANSDUCER

MODEL DCT

FEATURES

Accurate, reliable current measurement.

Both 1 and 5 A ranges are available.

Compact DIN rail packaging.



INPUT	STANDARD OUTPUTS MODEL DCT5-				
AC AMPS	0 - 1mA*	4 - 20mA	4 - 20mA**	0 - 10Vdc	0 - 5Vdc
0 - 1	005A	001E	001E2	001C	001CX5
0 - 5	005A	005E	005E2	005C	005CX5

*A models are self-powered from measured line.

**4 - 20mA loop-powered models require 12 - 32Vdc.

E, C, CX5 models require 100 - 135Vac instrument power.

Optional 220Vac instrument power - Add suffix "- 22".

Transducer output is derived from the arithmetic mean value of the input and calibrated in terms of the RMS value of the sine wave input.

APPLICATIONS

Designed for use in OEM applications which require inexpensive current measurement.

Designed for installations that require CE and CSA approvals.

Perfect for applications that require DIN Rail mounting.

ORDERING INFORMATION

Example: 5 Amps ac input with
4 - 20mA output.
DCT - 005E

MODEL DCT SPECIFICATIONS

INPUT

CURRENT: 1 or 5A
FREQUENCY RANGE: 50/60 Hz.
BURDEN: 2.5VA F.S.
CURRENT OVERLOAD:

120% of full scale input (continuous).

20 times full-scale (1 Sec. transient).

DIELECTRIC TEST: 4000Vac

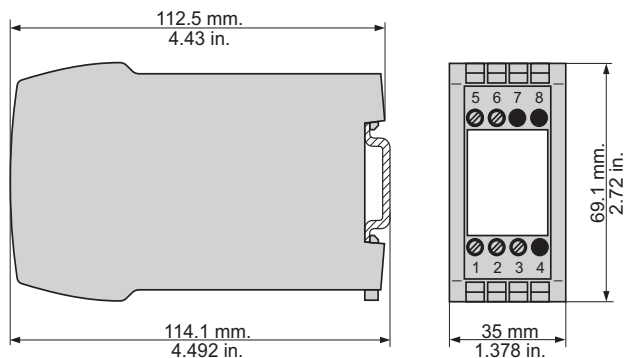
OUTPUT

ACCURACY: $\pm 0.5\%$ F.S. @ 60Hz

Includes effects of linearity and setpoint.

OUTPUT RIPPLE: Less than 1.0% p.p.
RESPONSE: 300 milliseconds
OUTPUT LOADING (OHMS):
0 - 1mA: 0 - 15K
5V and 10V: 500 min
4 - 20mA: ("E") 0 - 750
("E2") 0 - 600 @ 24V
FIELD ADJUSTABLE CAL.: $\pm 10\%$
TEMPERATURE RANGE: -10°C - +55°C
INSTRUMENT POWER (E, C, CX5):
100 - 135Vac, 50/60 Hz, 3.0VA.

CASE DIMENSIONS



Mounted on 35 mm top-hat DIN rail.

CONNECTION DIAGRAMS

