

DIN RAIL RMS CURRENT TRANSDUCER MODEL DCTR

FEATURES

Accurate measurement of the true RMS value of the input signal.

- Universal ac/dc instrument power.

One model for either 1 or 5A input.



APPLICATIONS

- For use in applications where measurement of non-sinusoidal or distorted waveforms is required.
- Applications that require CE or CSA approvals.
- Perfect for installations that require compact

INPUT AMPS	STANDARD OUTPUTS MODEL NUMBER DCTR-			
	0 - 1mA	4 - 20mA	0 - 10Vdc	0 - 5Vdc
0 to 1 or 5	005B	005E	005D	005X5

All std. units require 85 - 230Vac/dc instrument power.

ORDERING INFORMATION

Example: 1 Amp ac input with
 0 - 10Vdc output.
DCTR - 005D

MODEL DCTR SPECIFICATIONS

INPUT
 CURRENT: 1 or 5A
 FREQUENCY RANGE: 50/60 Hz.
 BURDEN: less than 1VA
 CURRENT OVERLOAD: 120% full-scale (cont)
 20 times input current (for 1 second)

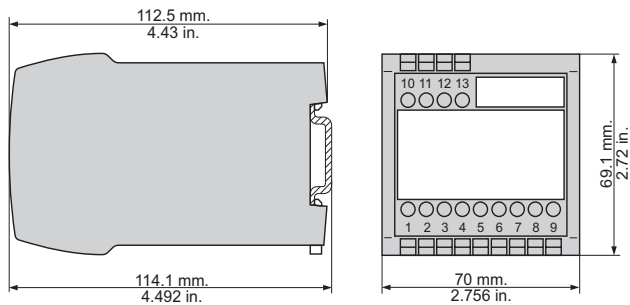
ISOLATION: 4000Vac

OUTPUT
 ACCURACY: $\pm 0.5\% \text{ F.S. (@ 60Hz)}$

RESPONSE TIME (90%): 300 milliseconds
 OUTPUT RIPPLE: Less than 0.5% p.p.
 OUTPUT LOADING (OHMS):
 0 - 1mA: 0 - 15K
 0 - 10Vdc, 0 - 5Vdc: 2.5K min.
 4 - 20mA: 0 - 750

FIELD ADJUSTABLE CAL.: $\pm 15\%$
 TEMPERATURE RANGE: -10°C to +55°C
 INSTRUMENT POWER: 85 - 230Vac/dc, dc or 40 - 400 Hz, 3.0VA.

CASE DIMENSIONS



Mounted on 35 mm top-hat DIN rail.

CONNECTION DIAGRAMS

