

SHUNT ISOLATOR

MODEL VT7

FEATURES

- Amplifies mV shunt output to standard analog signal level.
- Input/output isolation.

APPLICATIONS

- Shunt isolation.
- Bi-directional circuits.



New Universal Power Supply

INPUT mV	STANDARD OUTPUTS MODEL VT7-			
	±1mA	4 - 20mA	±10V	±5V
0 - 50	015B	015E	015D	015X5
0 - 100	016B	016E	016D	016X5
0 - 200	017B	017E	017D	017X5
0 - 250	018B	018E	018D	018X5

Optional 220Vac instrument power - Add suffix "- 22".
Shunts Available - Consult Factory

ORDERING INFORMATION

Example: 0 - 50mV input with
4 - 20mA output.
VT7 - 015E

VOLTAGE

MODEL VT7 SPECIFICATIONS

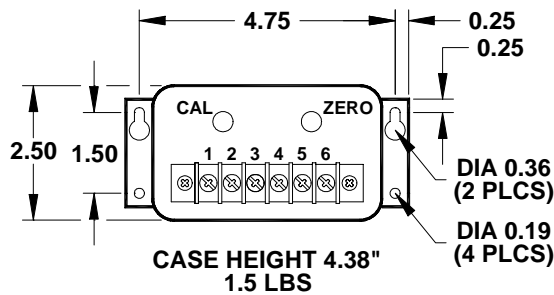
INPUT

VOLTAGE: See tables
FREQUENCY RANGE: dc - 10000 Hz.
BURDEN (ohms): Greater than 100K
OVERLOAD: 2 times full-scale rating.
DIELECTRIC TEST (Input/Output/Case): 2500Vac
INSTRUMENT POWER: 85 - 265Vac, 48 - 420 Hz, 5VA.
or 110 - 370Vdc, 5VA

OUTPUT

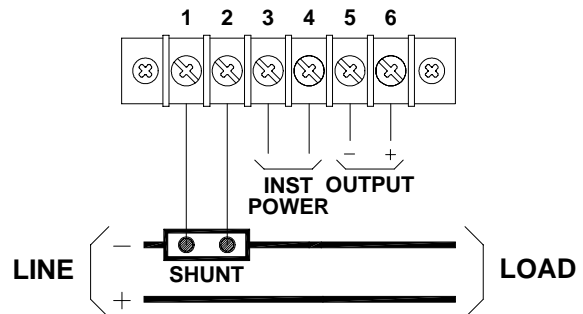
ACCURACY: ±0.25% F.S. @ dc
(Includes effects of linearity and repeatability.)
RESPONSE TIME: 50 microseconds
OUTPUT LOADING (ohms):
±1mA: 0 - 10K
±10V, ±5V: 2K minimum
4 - 20mA: 0 - 500
FIELD ADJUSTABLE CAL.: ±10%
TEMPERATURE EFFECT (-10°C to +60°C): ±1.0% RDG.

CASE DIMENSIONS



All dimensions in inches.

CONNECTION DIAGRAMS



AC

DC