



DIN RAIL WIDE FREQUENCY TRANSDUCER MODEL DFTA

FEATURES

- Provides analog output which is proportional to the input frequency over wide ranges.
- Digital period measurement delivers accuracy frequency measurement.

APPLICATIONS

- For use on any application that requires measurement for generation or energy management.
- Applications that require compact DIN packaging or CE & CSA approvals.



INPUT FREQUENCY (Hz)	STANDARD OUTPUTS MODEL NUMBER DFTA-				
	0 - 1mA	0 - 10Vdc	0 - 5Vdc	4 - 20mA	0 - 20mA
10 - 55	005B	005D	005X5	005E	005EA
10 - 65	004B	004D	004X5	004E	004EA
10 - 100	002B	002D	002X5	002E	002EA
10 - 425	006B	006D	006X5	006E	006EA
10 - 1000	003B	003D	003X5	003E	003EA

All standard models require 85 - 230Vac/dc instrument power.
 ADDITIONAL FREQUENCY AND VOLTAGE RANGES
 AVAILABLE - CONSULT FACTORY

ORDERING INFORMATION

Example: 10 - 100 Hz., 10 - 100V input,
 0 - 5Vdc output proportional to 10 - 100 Hz.
DFTA-002X5

MODEL DFTA SPECIFICATIONS

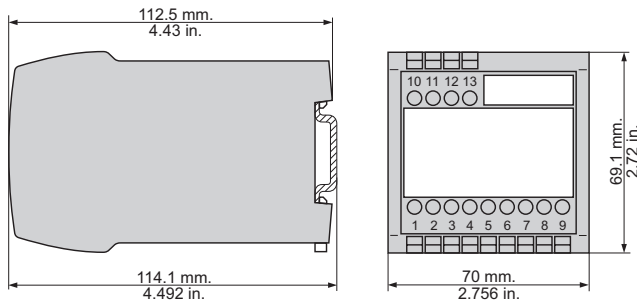
INPUT

FREQUENCY RANGE: See table
 VOLTAGE RANGE: 10 - 230V
 AC WAVEFORMS: Sine, square, or triangle
 OVERLOAD: 120% F.S. voltage
 BURDEN: Less than 1.0VA
 ISOLATION: 4000Vac

OUTPUT

ACCURACY: $\pm 0.2\%$ of span
 OUTPUT RIPPLE: less than 0.5% p.p.
 OUTPUT LOADING (OHMS):
 0 - 1mA: 0 - 15K
 0 - 10Vdc, 0 - 5Vdc: 2.5K min.
 4 - 20mA, 0 - 20mA: 0 - 750
 RESPONSE TIME: 4 x input frequency
 TEMPERATURE RANGE: -10°C - +55°C
 INSTRUMENT POWER:
 85 - 230Vac/dc, 40 - 400 Hz, 3.0VA.

CASE DIMENSIONS



Mounted on 35 mm top-hat DIN rail.

CONNECTION DIAGRAMS

