



The Series 6200 single channel and 6600 six channel receivers provide centralized display/alarming capabilities and power Scott/Bachrach gas transmitters.

## Series 6200

The Series 6200 single channel receiver provides a three-digit LED display of gas concentration, plus LED low alarm, high alarm, and fail indicators. Front-panel pushbuttons enable users to set alarm levels and reset alarms. An internal switch allows alarm outputs to be inhibited for periodic system calibration and adjustment.

## Series 6600

The Series 6600 accepts input from up to six 4-20mA gas transmitters detecting the same gas and range. The receiver provides a common three-digit LED gas concentration display. Users can manually select a single channel for display with a front-panel button. Low alarm, high alarm, and fail LED indicators are also provided for each channel.



## Use and Maintenance

The Series 6200 and 6600 provide loop power to 2-, 3-, or 4-wire transmitters. An uninterruptable power supply system is available to ensure consistent operation during power outages.

Receivers are available in both panel-mount and wall-mount configurations. The 24VDC-powered panel-mount configuration is housed in a compact NEMA 1 enclosure, and provides common low alarm, high alarm, horn, and fail open collector outputs. Housed in a NEMA 4x enclosure, the wall-mount configuration provides a 110VAC (optional 220VAC) power supply and relays for these open collector outputs. A front-panel pushbutton on both versions enables users to reset alarms. The single channel receiver also provides 0-1VDC or 0-10VDC analog concentration output.

## Features...

### Easy to use

Intuitive front-panel controls. Easy-to-read LED concentration and alarm status displays. Alarm inhibit switch.

### Flexible

Panel-mount or wall-mount configurations. User-selectable latching/non-latching relay modes on high alarm.

### Proven technology

Hundreds of Series 6200 and Series 6600s installed worldwide.

### Use with any 4-20mA gas transmitter

Accepts any 4-20mA 2-, 3-, and 4-wire gas transmitters.

# General Specifications

## Series 6200

|                   |  |
|-------------------|--|
| Enclosure         |  |
| Panel-mount       | NEMA 1.  |
| Wall-mount        | NEMA 4x.   |
| Power Requirement |  |
| Panel-mount       | 24VDC 350mA.   |
| Wall-mount        | 120VAC 50/60Hz or 220VAC 50Hz.   |
| Input             | One 4-20mA device, 2-/3-/4-wire configuration.   |
| Output            |  |
| Panel-mount       | Low alarm, high alarm, horn, and fail open collector output (max load 50mA at 30VDC). 0-1VDC or 0-10VDC.   |
| Wall-mount        | Low alarm, high alarm, horn, and fail SPDT relays (all 5A at 250V), non-inductive load. 0-1VDC or 0-10VDC. |
| Display           | 3 concentration LED. Low-alarm, high-alarm, and fail LEDs.   |
| Weight            |  |
| Panel-mount       | 2 lbs (1kg).   |
| Wall-mount        | 7 lbs (3kg).   |
| Repeatability     | ±0.5% full scale.  |
| Accuracy          | ±1% full scale.  |
| Temperature range | -13°F to 122°F (-25°C to 50°C).  |
| Warranty          | 1 year.  |

## Series 6600

|                   |  |
|-------------------|--|
| Enclosure         |  |
| Panel-mount       | NEMA 1.  |
| Wall-mount        | NEMA 4x.   |
| Power Requirement |  |
| Panel-mount       | 24VDC 400mA.   |
| Wall-mount        | 120VAC 50/60Hz or 220VAC 50Hz.   |
| Input             | Six 4-20mA devices (with same gas/range), 2-/3-/4-wire configuration.                          |
| Output            |  |
| Panel-mount       | Common low alarm, high alarm, horn, and fail open collector output (max load 50mA at 30VDC).   |
| Wall-mount        | Common low alarm, high alarm, horn, and fail SPDT relays (all 5A at 250V), non-inductive load. |
| Display           | 3 concentration LED. Low-alarm, high-alarm, and fail LEDs.                                     |
| Weight            |  |
| Panel-mount       | 2 lbs (1kg).   |
| Wall-mount        | 7 lbs (3kg).   |
| Repeatability     | ±0.5% full scale.  |
| Accuracy          | ±1% full scale.  |
| Temperature range | -13°F to 122°F (-25°C to 50°C).  |
| Warranty          | 1 year.  |

# Ordering Information

## SERIES 6xAA - B - C

x= "2" for Series 6200

x= "6" for series 6600

### AA: Gas

|      |                     |       |                        |
|------|---------------------|-------|------------------------|
| 62   | • Fluorine          | 89    | • Hydrogen Selenide    |
| 85   | • Ammonia           | 81    | • Hydrogen Sulfide     |
| 65   | • Arsine            | 88    | • %LEL (combustible)   |
| N/A- | • Boron Trichloride | 59    | • Methanol             |
| 61   | • Bromine           | 44    | • Methyl Iodide        |
| 82   | • Carbon Monoxide   | 34(P) | • Methylene Chloride   |
| 52   | • Chlorine          | 86    | • Nitric Oxide         |
| 53   | • Chlorine Dioxide  | 84    | • Nitrogen Dioxide     |
| 67   | • Diborane          | 33(P) | • Nitrogen Trifluoride |
| 62   | • Fluorine          | 80    | • Oxygen               |
| 69   | • Germane           | 60    | • Ozone                |
| 87   | • Hydrogen          | 66    | • Phosphine            |
| 71   | • Hydrogen Chloride | 68    | • Silane               |
| 64   | • Hydrogen Cyanide  | 83    | • Sulfur Dioxide       |
| 70   | • Hydrogen Fluoride | 58    | • TEOS                 |

### B: Range

1 - Range - Specify (Note: Range should be specified at time of order and match the ranges of the associated transmitters)

### C: Enclosure

- 1 - NEMA-1 Panel Mount (requires a separate 24 VDC Power Supply)
- 2 - NEMA-4X Wall Mount - 120 VAC (includes Power Supply and 4 relays)
- 3 - NEMA-4X Wall Mount - 220 VAC (includes Power Supply and 4 relays)

## ACCESSORIES

| Part#    | Description   |
|----------|---|
| 096-0719 | Backup Power Supply, 24V 2.5 Ah, complete with rechargeable batteries and 120VAC charger            |
| 096-0754 | Battery-backed Power Supply System (batteries not included), max battery charging capacity of 2.5Ah |
| 096-0627 | Relay 24V, SPDT 10A contacts, plug-in base with diode   |
| 073-0071 | DIN rail for up to four relay bases   |
| 096-1674 | 4-20mA Loop Surge Protector   |
| 028-0002 | Power Supply, 120 VAC - 24 VDC, 1 A   |
| 028-0003 | Power Supply, 120 VAC - 24 VDC, 5 A   |
| 028-0005 | Power Supply, 220 VAC - 24 VDC, 1 A   |

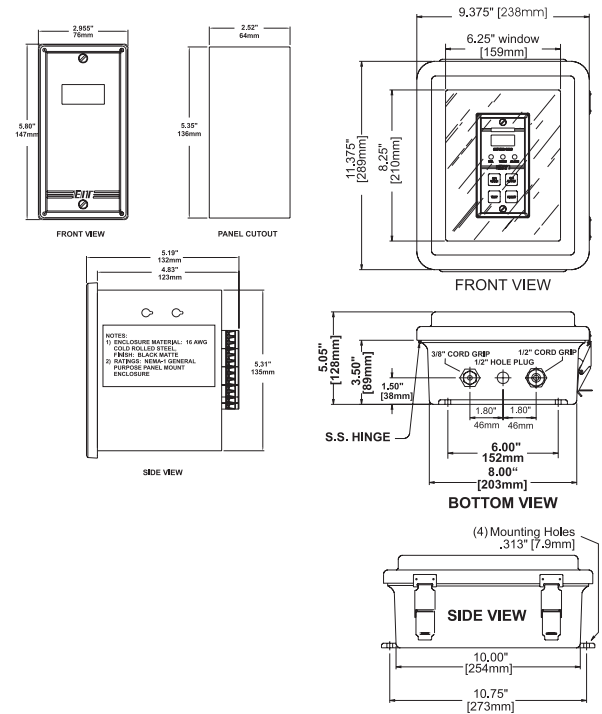
DS-6200/6600 10-99



## Series 6200

- General. Receiver shall be housed in NEMA 1 panel-mount enclosure or NEMA 4X wall-mount enclosure, and shall be capable of receiving one 4-20mA gas transmitter input.
- Display. Receiver shall display gas concentration on a 3 digit LED display. Low alarm, high alarm, and fail shall be indicated on individual LEDs.
- Output - *(Panel-Mount)* Panel-mount receiver shall provide low alarm, high alarm, fail and horn open collector outputs, rated 50mA maximum load at 30VDC, as well as an analog 0-1VDC or 0-10VDC output. High alarm output shall be selectable for latching or non-latching operation. Alarm relays shall be adjustable from 5% to 100% of the channel's range.  
Output - *(Wall-Mount)* Wall-mount receiver shall provide low alarm, high alarm, fail and horn SPDT relay outputs, rated 5A at 250V, as well as an analog 0-1VDC or 0-10VDC output. High alarm output shall be selectable for latching or non-latching operation. Alarm relays shall be adjustable from 5% to 100% of the channel's range.
- Controls and Adjustments. Receiver's front panel shall provide pushbutton controls to silence horn relay under alarm conditions and to reset latching alarms. An internal switch shall allow users to inhibit alarm output for periodic system calibration and adjustment.
- Battery Backup. Manufacturer shall make available an uninterruptable power supply capable of operating the receiver and all connected transmitters.

## Dimensions

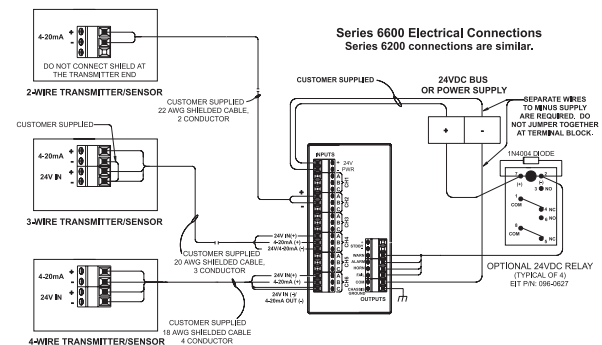


## Series 6600

- General. Receiver shall be housed in NEMA 1 panel-mount enclosure or NEMA 4X wall-mount enclosure, and shall be capable of receiving input from up to six 4-20mA gas transmitters with the same gas type and range.
- Display. Receiver shall display gas concentration on a common 3 digit LED display. Each channel shall be capable of being manually selected for display through the use of a sealed front-panel button. Four individual LEDs indicating low alarm, high alarm, fail, and channel selected shall be provided for each input channel.
- Output - *(Panel-Mount)* Panel-mount receiver shall provide common low alarm, high alarm, fail and horn open collector outputs, rated 50mA maximum load at 30VDC. High alarm output shall be selectable for latching or non-latching operation. Alarm relays shall be adjustable from 5% to 100% of the channel's range.  
Output - *(Wall-Mount)* Wall-mount receiver shall provide common low alarm, high alarm, fail and horn SPDT relay outputs, rated at 5A at 250V. High alarm output shall be selectable for latching or non-latching operation. Alarm relays shall be adjustable from 5% to 100% of the channel's range.
- Controls and Adjustments. Receiver's front panel shall provide pushbutton controls to silence horn relay under alarm conditions and to reset latching alarms. An internal switch shall allow users to inhibit alarm output for periodic system calibration and adjustment.
- Battery Backup. Manufacturer shall make available an uninterruptable power supply capable of operating the receiver and all connected transmitters.

## Electrical

### Panel Mount



### Wall Mount

