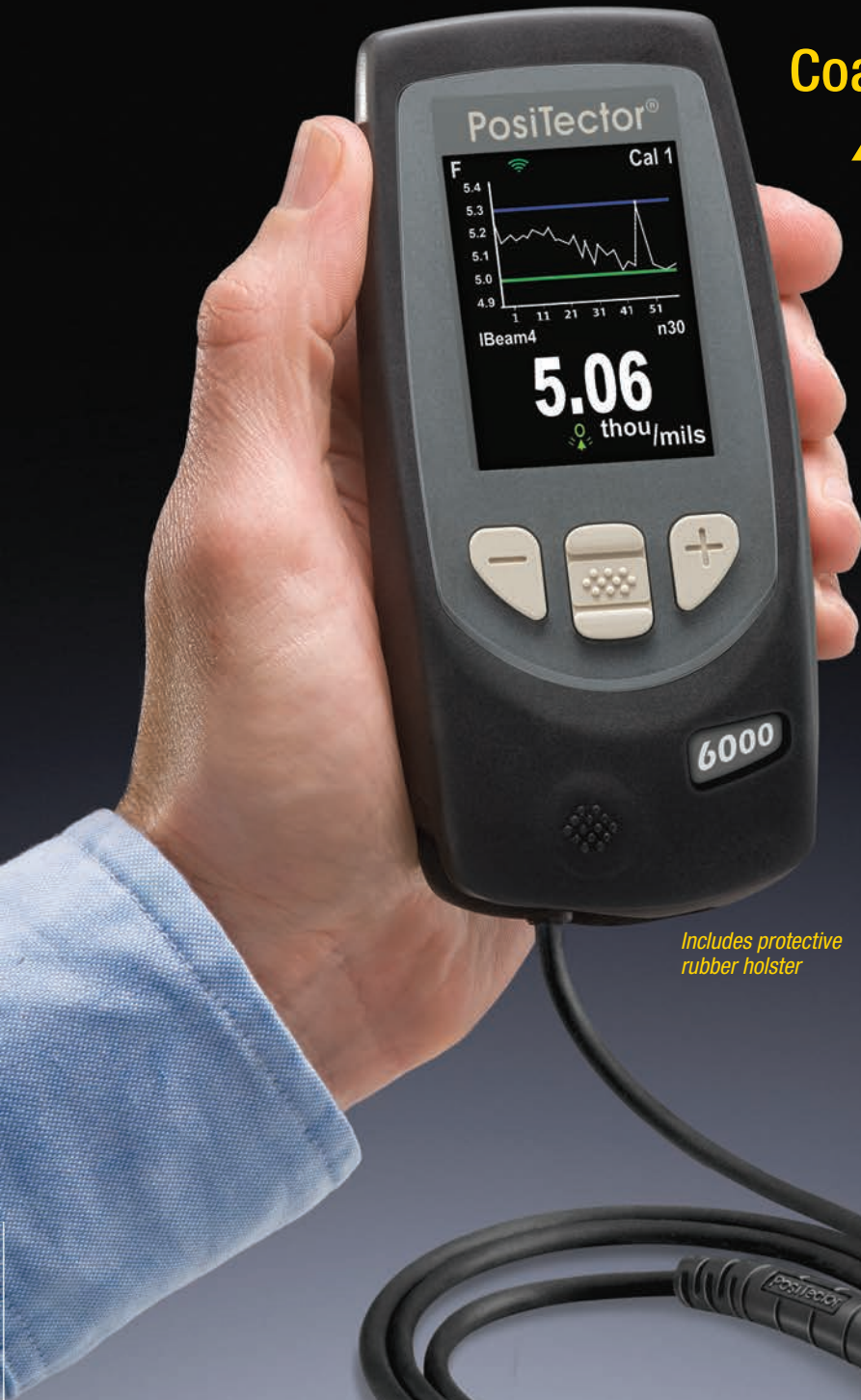


# PosiTector® 6000 Series

Coating Thickness Gages for **ALL** Metal Substrates



*Includes protective rubber holster*



**DeFelsko®**  
The Measure of Quality



Available on the  
App Store



PosiTector®  
SmartLink  
Compatible



# PosiTector® 6000 Series

## All Gages Feature...

### Simple

- **NEW** Faster measurement speed—60+ readings per minute
- Ready to measure—no adjustment required for most applications
- Enhanced one-handed menu navigation
- Flashing display—ideal in a noisy environment
- RESET feature instantly restores factory settings

### Durable

- Solvent, acid, oil, water and dust resistant—weatherproof
- Wear-resistant probe tip
- Shock-absorbing, protective rubber holster with belt clip
- Two year warranty on gage body AND probe

### Accurate

- Certificate of Calibration showing traceability to NIST or PTB included
- Built-in temperature compensation ensures measurement accuracy
- Hi-RES mode increases displayed resolution for use on applications that require greater precision
- Conforms to national and international standards including ISO and ASTM

### Versatile

- PosiTector body accepts all PosiTector 6000, 200, RTR, SPG, DPM, SST, SHD and UTG probes easily converting from a coating thickness gage to a surface profile gage, dew point meter, soluble salt tester, Shore hardness durometer or ultrasonic wall thickness gage
- Multiple calibration adjustment options including 1 point, 2 point, known thickness, average zero
- Selectable display languages
- High contrast LCD with backlit display
- Flip Display enables right-side-up viewing
- Extended cables available (up to 75 m/250 ft) for remote measuring
- Uses alkaline or rechargeable batteries (built-in charger)

### Powerful

- Continually displays/updates average, standard deviation, min/max thickness and number of readings while measuring
- Screen Capture—save screen images for record keeping and review
- HiLo alarm audibly and visibly alerts when measurements exceed user-specified limits
- **NEW** Enhanced FAST mode—90+ readings per minute for quick inspection
- Sealed USB port for fast, simple connection to a PC and to supply continuous power. USB cable included.
- PosiSoft USB Drive—stored readings and graphs can be accessed using universal PC/Mac web browsers or file explorers. No software required.
- Every stored measurement is date and time stamped
- Includes PosiSoft suite of software for viewing and reporting data (see right panel)

## Probes available for a variety of applications



For measuring paint, powder, etc. on all metals...



...and for measuring galvanizing, plating, anodizing and more.

### Standard Models

**Includes ALL features as shown on left plus...**

- Storage of 250 readings per probe—stored readings can be viewed or downloaded

### Advanced Models

**Includes ALL features as shown on left plus...**

- Storage of 100,000 readings from multiple probes in up to 1,000 batches and sub-batches
- Live graphing of measurement data
- 3 Scan Modes — increase measurement speed to 180+ readings per minute
  - **Normal** – take continuous readings without lifting the probe
  - **NEW Statistics** – take continuous readings and record average, standard deviation, min/max thickness and number of readings while scanning
  - **NEW Limited Count Average** – take continuous readings up to a user-specified count. The gage displays and records the average of the readings.
- Multiple stored calibration adjustments for measuring on a variety of substrate conditions
- SSPC-PA 2 feature determines if film thickness over a large area conforms to user-specified min/max levels
- PSPC 90/10 feature determines if a coating system complies with an IMO performance standard for protective coatings
- WiFi technology wirelessly synchronizes with PosiSoft.net and downloads software updates
- **Bluetooth 4.0 Technology** for data transfer to a mobile device running the PosiTector App or optional portable printer. **BLE API** available for integration into third-party software.
- Onscreen Batch Annotation—add notes, change batch names and more with built-in QWERTY keyboard

### PosiTector SmartLink™

- Wirelessly connect PosiTector 6000 probes to your smart device

**Select from a variety of measurement ranges and probe styles**

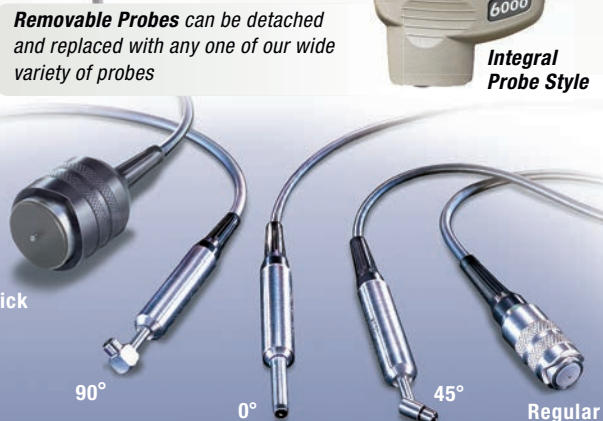
(see back page ordering guide)



Cabled Probe Style



Integral Probe Style



Thick

90°

0°

45°

Regular



# Rugged Features...

Sealed USB Port for communicating with a PC or Mac

Water and dust resistant



High contrast color LCD with backlit display

Scratch/solvent/impact resistant lens

Multi-function navigation button

Solvent, acid, oil resistant, high grade, industrial strength housing

Advanced Model shown in Memory Mode

Quality high-flex cable and strain relief

Stainless steel probe with knurled finger grip

Strong wear-resistant ruby-tipped probe



All Regular Cabled Probes are suitable for underwater use

# PosiSoft... FREE SOLUTIONS for viewing, analyzing and reporting data:



### PosiSoft Desktop

Powerful desktop software for downloading, viewing, printing and storing measurement data. Includes customizable, templated PDF Report Generator. No internet connection required.

### PosiSoft.net

A web-based application offering secure centralized management of readings. Includes customizable, templated PDF Report Generator. Access your data from any web-connected device.



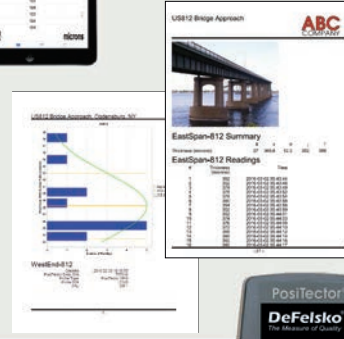
### PosiTector App

Mobile app connects PosiTector Advanced instruments, the PosiTector SmartLink and the PosiTest AT-A to your iOS or Android smart device.



### PosiSoft USB Drive

A simple gage interface to retrieve data in a manner similar to USB flash drives, cameras, or digital audio players. No software to install or internet connection required.



### Award Winning Compatibility!

- Coating Thickness
- Surface Profile
- Environmental Conditions
- Shore Hardness
- Salt Contamination
- Ultrasonic Wall Thickness



Duplex Probe measures individual layer thicknesses of zinc and paint in a duplex coating system



Xtreme Probes with Alumina wear faces and braided cables for hot/rough surfaces



Thick Probes series for thick protective coatings: epoxy, rubber, fireproofing and more

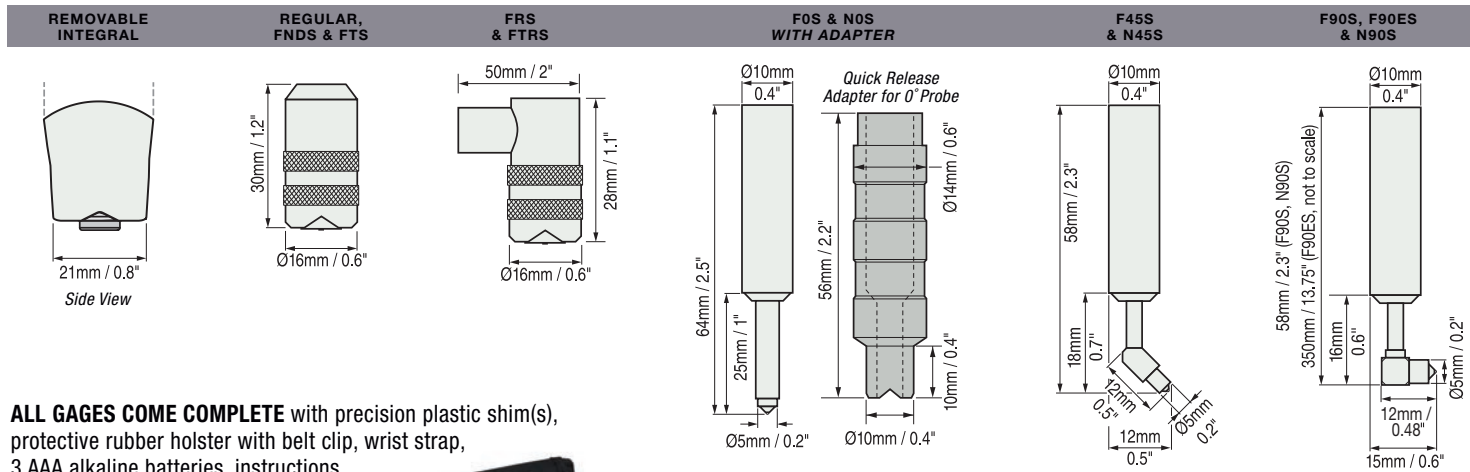


Microprobe series for small parts and hard-to-reach areas

		Our most popular Integral and Cabled probe models		90° Regular probe for tight spots	Ideal for duplex coating systems	Ideal for hot and rugged applications	Ideal for anodized aluminum	Microprobes – Our smallest probes for small parts or hard-to-reach areas				Integral and Cabled probes for thick protective coatings; epoxy, rubber, intumescent fireproofing and more						
FERROUS	Standard	F1	FS1	FRS1				FOS1	F45S1	F90S1	F90ES1	FT1	FTS1	FTRS1	FHXS1 <sup>1,2</sup>	FKS1	FJS1	FLS1
	Advanced	F3	FS3	FRS3				FOS3	F45S3	F90S3	F90ES3	FT3	FTS3	FTRS3	FHXS3 <sup>1,2</sup>	FKS3	FJS3	FLS3
NON-FERROUS	Standard	N1	NS1	NRS1				NAS1	N0S1	N45S1	N90S1					NKS1		
	Advanced	N3	NS3	NRS3				NAS3	N0S3	N45S3	N90S3					NKS3		
COMBINATION	Standard	FN1	FNS1	FNRS1	FNDS1 <sup>3</sup>								FNTS1					FNGS1 <sup>4</sup>
	Advanced	FN3	FNS3	FNRS3	FNDS3 <sup>3</sup>								FNTS3					FNGS3 <sup>4</sup>
<b>Range</b>		0–60 mils 0–1500 µm			0–80 mils 0–2000 µm	Ferrous: 0–45 mils and 0–1150 µm Non-Ferrous: 0–25 mils and 0–625 µm				0–250 mils 0–6 mm		0–400 mils 0–10,000 µm	0–500 mils 0–13 mm	0–1.0 in. 0–25 mm	0–1.5 in. 0–38 mm	0–2.5 in. 0–63.5 mm		
<b>Accuracy<sup>5</sup></b>		±(0.05 mil + 1%) 0–2 mils ±(0.1 mil + 1%) >2 mils			±(0.02 mil + 1%) 0–4 mils ±(0.1 mil + 3%) >4 mils				±(0.5 mil + 1%) 0–100 mils ±(0.5 mil + 3%) >100 mils		±(0.1 mil + 3%)		±(1 mil + 3%)		±(0.01 in. + 3%)			
<b>Matching Defelsko Calibration Standards</b>		STDS1 STDA1			STDS4	STDS2 STDA2				STDP1		STDP7	STDP5	STDP2	STDP8			

**Ferrous probes** measure non-magnetic coatings on ferrous metals. **Non-Ferrous probes** measure non-conductive coatings on non-ferrous metals. 1) **FXS/FHXS Xtreme probe series** with Alumina wear face and braided cable — ideal for rough or hot surfaces up to 250° C (500° F). 2) **FHXS probe** measures non-conductive coatings on steel only. 3) See website for full **FNDS probe** accuracy information. 4) **FNGS probe** measures non-conductive coatings on all metals. 5) Accuracies are stated as a fixed value plus a percentage of the gage's actual reading.

### Probe Details (All probe details can be found online at [www.defelsko.com/p6000/probes](http://www.defelsko.com/p6000/probes))



**ALL GAGES COME COMPLETE** with precision plastic shim(s), protective rubber holster with belt clip, wrist strap, 3 AAA alkaline batteries, instructions, protective lens shield, convenient carrying case, Long Form Certificate of Calibration traceable to NIST or PTB, USB cable, PosiSoft Software, two (2) year warranty.

**SIZE:** 137 x 61 x 28 mm  
(5.4" x 2.4" x 1.1")

**WEIGHT:** 140 g (4.9 oz.)  
without batteries

Conforms to ISO 2178/2360/2808,  
ISO 19840, ASTM B244/B499/D1186/  
D1400/D7091/E376/G12, BS3900-C5,  
SSPC-PA2 and others



### Options

**Coating Thickness Standards**  
to fulfill both ISO and in-house  
quality control requirements

**Probe Foot Rings**  
Durable Delrin ring allows the  
probe to slide easily while scanning

**Telescopic Probe Extender** for use  
with the PosiTector 6000 FS, NS, FNS,  
FXS, FNDS, NAS and FTS probes.

- Provides up to 124 cm (49") of reach and collapses to 47 cm (18.5") for easy storage

For a complete list of product features and available options visit [www.defelsko.com](http://www.defelsko.com)

