

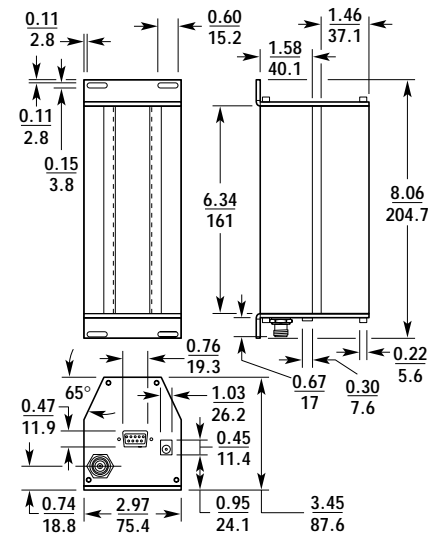
■ Specifications

Analog Inputs			
Channels: 4 differential analog for DD-124, 8 single-ended analog for DD-128			
Max. Input Voltage: ± 100 mV			
Analog Voltage Resolution: 90 nV			
A/D Bits: 24			
Input Bias Current: ± 9 nA			
Scan Interval: 1.88 to 101 Hz			
Burst Mode: 101.1 Hz			
Excitation Voltage, DD-124: 5,000 mV			
Excitation Voltage, DD-128: 2,500 mV			
Digital Inputs/Outputs			
Event or Pulse Channels: 4			
General Digital Ports: 3 input/output			
Memory			
Flash Memory: 2 MB			
If recording time, 1 precision and 1 standard input, the memory would be filled as shown below:			
Sample Rate (Minutes)	Days	Years	
5	1222	3.4	
10	2446	6.8	
15	3668	10.0	
Power Requirements			
Quiescent Current: 50 μ A (typical)			
Processing Current: 3 mA			
Environmental			
Standard: -40 to 140°F (-40 to 60°C)			
Extended: -67 to 176°F (-55 to 80°C)			
Physical			
Enclosure: Extruded aluminum			
Size: 8 x 3 x 3.5 in. (20.32 x 7.62 x 8.89 cm)			
Weight			
DD-124 w/Battery: 1.715 lb. (0.778 kg)			
DD-124 Alone: 1.243 lb. (0.564 kg)			
Communications Options: Direct cable RS-232 (included), telephone modem, cellular modem (GSM/GPRS), and spread spectrum radio			
Software: Comes with Data Dolphin Standard Windows® configuration, display, communication, and graphing software. Additional software is available.			

Computer Requirements	
Computer:	486 or higher
Operating System:	Microsoft Windows® 98, NT, 2000, XP
RAM:	16 MB or higher
Monitor:	VGA; SVGA recommended
Rec. Hard Disk Space:	25 MB install only; 35 MB optimal
Approvals:	Consult factory

Specifications are subject to change without notice.

■ Dimensions — in./mm



■ Ordering Information

Select the model based on the communication scheme required:

Model	Description
DD-124-GSM	DD-124 with GSM/GPRS cell phone communications
DD-124-RS232	DD-124 with RS-232 communications
DD-124-SS	DD-124 with spread spectrum radio communications
DD-124-TEL	DD-124 with telephone communications
DD-128-GSM	DD-128 with GSM/GPRS cell phone communications
DD-128-RS232	DD-128 with RS-232 communications
DD-128-SS	DD-128 with spread spectrum radio communications
DD-128-TEL	DD-128 with telephone communications

Options

Power Supply Options: AC Power Supply, Batteries, Solar Power Packages

Antennas: Wireless communications requires an antenna. STI offers rubber duck, whip, phantom, Yagi, manhole cover, and in-road antennas. See Accessories for details.

Cold Junction Kit: The DD-128 (not the DD-124) can accept a cold junction kit for direct connection of thermocouples.

Enclosures: Steel or Fiberglass with power supply and backup battery, predrilled for mounting the Data Dolphin



For information on Data Dolphin communication options, see page D18.



For information on Data Dolphin accessories, see page D20.



For information on Data Dolphin software, see page D23.

